

MITEL NETWORKS

# 5303 | Conference Phone

Installation and User Guide

Guide d'installation et d'utilisation

 **MITEL** | it's about **YOU**

## **NOTICE**

The information contained in this document is believed to be accurate in all respects but is not warranted by Mitel Networks™ Corporation. The information is subject to change without notice and should not be construed in any way as a commitment by Mitel or any of its affiliates or subsidiaries. Mitel and its affiliates and subsidiaries assume no responsibility for any errors or omissions in this document. Revisions of this document or new editions of it may be issued to incorporate such changes.

No part of this document can be reproduced or transmitted in any form or by any means - electronic or mechanical - for any purpose without written permission from Mitel Networks Corporation.

Mitel Networks is a trademark of Mitel Networks Corporation.

Other product names mentioned in this document may be trademarks of their respective companies and are hereby acknowledged.

## **AVIS**

Bien que les informations contenues dans ce document soient considérées comme exactes à tous égards, Mitel Networks™ Corporation ne peut en garantir l'exactitude. Ces informations sont susceptibles d'être modifiées sans préavis et ne doivent être en aucun cas considérées comme un engagement de Mitel Networks, de l'un de ses partenaires ou de l'une de ses filiales. Mitel Networks, ses partenaires et ses filiales déclinent toute responsabilité quant aux éventuelles erreurs ou omissions présentes dans ce document. Des révisions du présent document ou de nouvelles versions peuvent être publiées pour incorporer de tels changements.

Aucune partie de ce document ne peut être reproduite de quelque façon que ce soit, en tout ou partie, pour quelque usage que ce soit, sans autorisation écrite de Mitel Networks Corporation.

Mitel Networks est une marque de commerce de Mitel Networks Corporation.

Tous les autres noms de produits mentionnés dans ce document peuvent être des marques de commerce de leurs sociétés respectives et sont, par la présente, reconnues.

Mitel Networks 5303 Conference Phone  
**Installation and User Guide/Guide d'installation et d'utilisation**  
56005581, Rev A  
April/Avril 2003

® ,™ Trademark of MITEL Networks Corporation  
© Copyright 2003, MITEL Networks Corporation  
All rights reserved

® ,™ Marque de commerce de Mitel Networks Corporation  
© Copyright 2003, Mitel Networks Corporation  
Tous droits réservés

# Mitel Networks™ 5303 Conference Phone Installation and User Guide

## Welcome

Congratulations on your purchase of the Mitel Networks 5303 Conference Phone, a state of the art conference unit. The 5303 Conference Phone provides the following features to ensure outstanding quality and ease of use:

- Full duplex audio with echo cancellation and noise reduction for high quality audio;
- Acoustic beam forming technology that ensures that everyone in a conference room can be clearly heard regardless of where they are in the room;
- A Presentation Mode feature which allows the microphone of the Speaker Unit to lock onto a specific sector where the speaker is located, to facilitate audio presentations;
- Compatibility with business telephone systems and the public switched telephone network;
- An intuitive, friendly interface;
- Nine programmable Speedcalls for storing names and numbers, and a special Conference Softkey to make conference calls easy to setup;
- Support for Calling Line Identification provided by your IS (Information Service) department or telephone company. To subscribe to a Calling Line Identification service, contact your IS department or local telephone company.

## Disclaimer



DUE TO THE DYNAMIC NATURE OF THE PRODUCT DESIGN, THE INFORMATION CONTAINED IN THIS DOCUMENT IS SUBJECT TO CHANGE WITHOUT NOTICE. MITEL NETWORKS CORPORATION, ITS AFFILIATES, AND/ OR ITS SUBSIDIARIES ASSUME NO RESPONSIBILITY FOR ERRORS AND/OR OMISSIONS CONTAINED IN THIS INFORMATION.

## **Important Safety Instructions and Precautions**

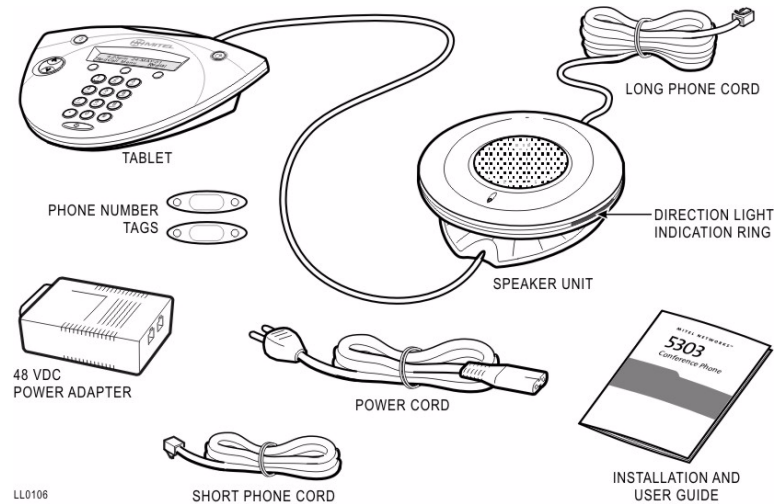
When using the Mitel Networks 5303 Conference Phone and related equipment, basic safety precautions should always be followed to reduce the risk of fire, electric shock and injury to persons. These include the following:

- Only Mitel Networks-approved power adapters shall be used to power the 5303 Conference Phone.
- Do not use this product near water (for example near a bathtub, wash bowl, kitchen sink or laundry tub, in a wet basement or near a swimming pool).
- Avoid using a telephone during an electrical storm. There may be a remote risk of electric shock from lightning.
- Do not use the telephone to report a gas leak in the vicinity of a leak.

# Installation

## Parts Included

The 5303 Conference Phone comprises the parts shown below. If any parts are missing, contact your authorized Mitel Networks dealer.





**Figure 1:** Parts of the 5303 Conference Phone

## For best performance

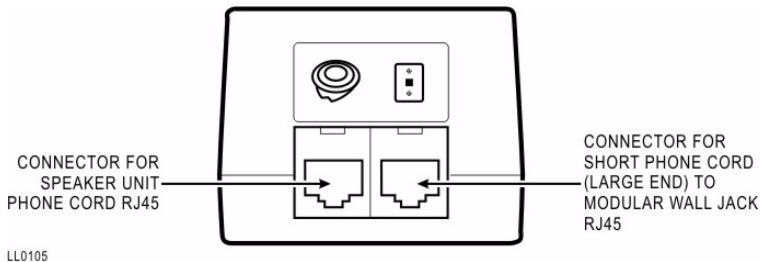
It is recommended that the Mitel Networks 5303 Conference Phone be used in a 15'x25' maximum size room. Be sure to install the unit on a flat surface away from obstacles, including windows and walls. The 5303 Conference Phone works best in a quiet environment (background noise should be less than 48 dBA; for example, no more than a typical workplace noise such as a ventilator or overhead projector fan).

To Install the 5303 Conference Phone:

- 1 Connect the long phone cord to the jack labeled with the speaker unit icon  on the 48 V DC Power Adapter.

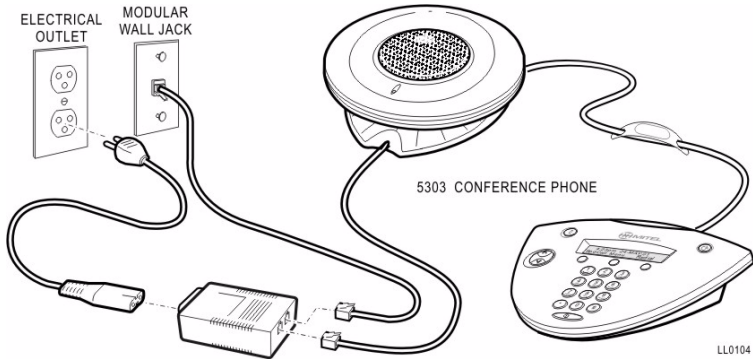
- 2 The short phone cord has a different connector on each end. Connect the end with the larger connector (RJ45) to the remaining jack (labeled with a phone jack icon ) on the 48 V DC Power Adapter. Refer to Figure 2.
- 3 Connect the other end of the short phone cord to a modular wall jack.
- 4 Plug the supplied power cord into the 48 V DC Power Adapter and into an electrical outlet. Refer to Figure 3 for the overview of the 5303 Conference Phone setup.
- 5 Using a felt-tip marker, write the unit's phone number on one of the Phone Number Tags, and attach it to the phone cord. Refer to Figure 3.

**Note:** If you experience difficulty setting up a three-way conference call (or activating other service provider features), change the hook flash time. For more information, see the section on the 'Installation Menu'.



**Figure 2:** 48 V DC Power Adapter

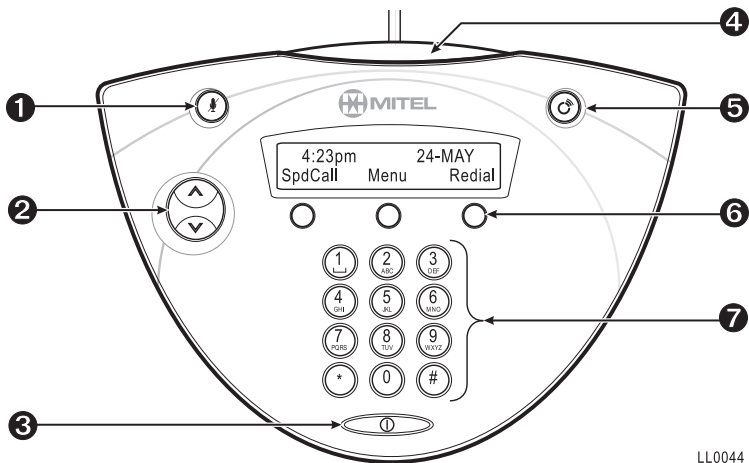
**Caution:** Mitel Networks-supplied 48 V DC Power Adapters are the only adapters accepted by Mitel Networks Corporation for connection to the 5303 Conference Phone.



**Figure 3:** Overall Setup

## Quick Reference

The 5303 Conference Phone is comprised of a Speaker Unit and a Tablet. The Speaker Unit houses the speaker and microphone. The Tablet, shown in Figure 4 below, allows you to dial numbers and access the unit's many features.



**Figure 4:** 5303 Conference Phone Features

- 1 **Mute Button:** Mutes the microphone so your callers cannot hear you. The Direction Light Indicator Ring on the Speaker Unit turns orange when Mute is on. Mute is automatically turned off when a call is ended.
- 2 **Levels Control Button:** Adjusts the display screen contrast when no call is active, speaker volume when you are on a call, and ringer volume when the phone is ringing.
- 3 **On/Off Button:** Lets you turn the phone on to answer an incoming call or make an outgoing call, and turn the phone off at the end of the call.
- 4 **Call Indicator Lamp:** Flashes when you have an incoming call and stays on when the phone is in use.
- 5 **Presentation Mode Button:** Allows the microphone to lock onto the voice of only one person in that sector of the room. Useful for presentations or when one person is addressing a group of callers.
- 6 **Softkeys:** Lets you navigate and use the features accessible via the display screen. Refer to the Softkeys section for more information.
- 7 **Keypad:** Lets you dial numbers or enter names and numbers in Speedcalls. When entering names, use the '1' key for spaces and the '# ' key for special characters (? , / , -). To enter a half-second dialing pause in a speedcall, use the '\* ' key.

## Softkeys

Softkeys allow you to access a variety of features using the LCD Display.

**SpdCall** – Lets you select from up to 9 programmable SpeedCall telephone numbers. You can scroll through the list, or press a number from 1 to 9 to jump directly to the associated SpeedCall. To program a Speed Call, select the Menu softkey and follow the prompts.

**Redial** – Lets you redial the last dialed telephone number.

**Flash** – Lets you put the second party on Hold (you will then hear dialtone), and allows you to call the third party. Once you've contacted the third party, press Flash again to begin the all-party conference. Contact your IS department or local telephone company for more information.

**Conf** - Transmits a pre-programmed feature access code which may be required to set up a third-party call. For more information, see PROGRAM CONF KEY? in the table below.

**LocalNum** - Displays the telephone number (manually dialed) of the 5303 Conference Phone. For more information, see PROGRAM LOCAL NUM? in the table below.

**Menu** - Leads you through an intuitive, step by step procedure for programming a variety of features as described.

PROGRAM LOCAL NUM?	Stores the telephone number of the conference unit you are using so that you can easily retrieve it.
PROGRAM SPEEDCALLS?	Stores names and numbers that can be easily retrieved for dialing. You can edit, empty or program new Speed Calls.
SET TIME/DATE?	Sets the date and time. If your phone displays the number of the person calling, it is not necessary to set the time and date on the 5303 Conference Phone. It will be set automatically when you receive a call.
CHANGE LANGUAGE?	Default setting for display prompts is English. <b>Note:</b> Choice of French available in North America only.
PROGRAM CONF KEY?	Stores the feature access code of the conference service provided by your business telephone system or local telephone company. For example, to initiate a three way call, you may need to enter a code such as *73. Once this softkey has been programmed, it appears on the LCD display once you have initiated a call.

## Presentation Mode

The Presentation Mode feature allows the microphone to lock onto a specific area of a room and minimizes any extraneous noise coming from other areas. This feature is particularly useful for audio presentations to conference callers when other people are in the room with the presenter.

If a person other than the presenter wishes to address the conference callers, Presentation Mode must be turned off. The presenter must remain in the focus area in order to be heard.

To Turn Presentation Mode On:

- 1 Begin speaking.
- 2 When the Direction Light Indicator (green light) appears on the Speaker Unit in your direction, press the Presentation button. The 5303 Conference Phone will pick up sound coming from your direction, at the point where you turned Presentation Mode on. The associated light on the Direction Light Indicator Ring flashes to indicate that the unit is receiving your voice.

To Turn Presentation Mode Off:

- Press the Presentation button to allow other speakers to be heard during the teleconference. The associated Direction Light Indicator stops flashing.

## **Installation Menu**

The Installation Menu provides the following functionality:

- Displays the current software versions of the 5305 Conference Phone.
- Allows all programmable parameters to be set to default.
- Allows you to change the duration of the hook flash single when the Flash softkey is pressed during a call. The 5303 Conference Phone is pre-programmed with a default flash time of 300 milliseconds. Contact your IS department or local telephone company for the recommended hook flash time.
- Allows the automatic hook flash to be enabled (default) or disabled through the Conf softkey. If the automatic hook flash is enabled, an F character appears as the first entry when programming the conference key string in the PROGRAM CONF KEY? section of the menu. When the Conf softkey is pressed during a call, a hook flash will occur before sending the programmed dial characters.

To access the Installation Menu and change the hook flash time:

- 1 Power up the phone, and then press the Menu button. PROGRAM LOCAL NUM? appears.

- 2 Press the Mute and Presentation buttons at the same time, and then release. The software version number displays.
- 3 To change the hook flash time, follow the on-screen instructions.

To exit the Installation Menu and return to normal operation:

- Press the Exit button.

## **Maintenance and Repair**

The 5303 Conference Phone is a single field-replaceable product. There are no user serviceable parts inside either unit. For repairs, return the entire 5303 Conference Phone to an authorized Mitel Networks dealer.

## **Regulatory Notices**

### Notice to Canadian Customers

This Class B digital apparatus complies with Canadian Standard ICES 003.

**NOTICE:** The Industry Canada label identifies certified equipment in accordance with Industry Canada CS03. This certification means that the equipment meets telecommunications network protective, operational and safety requirements as prescribed in the appropriate Terminal Equipment Requirements document(s). The department does not guarantee the equipment will operate to the user's satisfaction.

Before installing this equipment, users should ensure that it is permissible to be connected to the facilities of the local telecommunications company. The equipment must also be installed using an acceptable method of connection. The customer should be aware that compliance with the above conditions may not prevent degradation of service in some situations.

Repairs to certified equipment should be coordinated by a representative designated by the supplier. Any repairs or alterations made by the user to this equipment, or equipment malfunctions, may give the telecommunications company cause to request the user to disconnect the equipment.

Users should ensure for their own protection that the electrical ground connections of the power utility, telephone lines and internal metallic water pipe system, if present, are connected together. This precaution may be particularly important in rural areas.

**CAUTION:** Users should not attempt to make such connections themselves, but should contact the appropriate electric inspection authority, or electrician, as appropriate.

**NOTICE:** The **Ringer Equivalence Number** (REN) assigned to each terminal device provides an indication of the maximum number of terminals allowed to be connected to a telephone interface. The termination on an interface may consist of any combination of devices subject only to the requirement that the sum of the Ringer Equivalence Numbers of all the devices does not exceed 5. The REN value for the Mitel Networks 5303 Conference Phone is 0.1.

### Notice to US Customers

Complies with Part 68 FCC Rules. US:BN2TF01BMN5303.

This equipment has been tested and found to comply with the limits for Class B digital device pursuant to Part 15 of the FCC rules. These limits are designed to provide reasonable protection against harmful interference in a residential installation. This equipment generates, uses and can radiate radio frequency energy and, if not installed and used in accordance with the instruction manual may cause harmful interference to radio communications. However there is no guarantee that interference will not occur in a particular installation.

If this equipment does cause harmful interference to radio or television reception which can be determined by turning the equipment off and on the user is encouraged to try one by one the following measures:

- Reorient or relocate the receiving antenna
- Increase separation between the equipment and receiver
- Connect the equipment into an outlet on a circuit different from that which the receiver is connected
- Consult the dealer or an experienced radio/TV technician for help.

**Note:** Changes or modifications not expressly approved by Mitel Networks Corporation may void the user's right to operate the equipment.

WHEN PROGRAMMING EMERGENCY NUMBERS AND (OR)  
MAKING TEST CALLS TO EMERGENCY NUMBERS:

1. Remain on the line and briefly explain to the dispatcher the reason for the call.
2. Perform such activities in the off peak hours, such as early morning or late evening.

# Declaration of Conformity

**Company:** Mitel Networks Corporation  
**Product:** Mitel Networks 5303 Conference Phone  
**Model Numbers:** 5303 Conference Phone  
**ID#:** BN2TF01BMN5303

**Samples of this product have been found to comply with the following standards:**

- **FCC 47 CFR Part 68 (USA)**

This device complies with the applicable technical requirements of Part 68 of the Federal Communications Commission Rules and any applicable technical requirements referenced by this document.

The requirements of 68.316 & 68.317 are not applicable to this product, as it does not have a handset.

Responsible party:

Mr. Ed Silberhorn  
U.S. General Counsel &  
Corporate Secretary

Mitel Networks Inc.  
205 Vanburen St.  
Suite 400  
Herndon Va. 20170

Signing Authority:

Mr. Greg Slingerland  
Manager,  
Regulatory Approvals

Mitel Networks Corporation  
350 Legget Dr. P.O. Box 13089  
Ottawa, Ontario, Canada  
K2K 2W7

  
\_\_\_\_\_  
Mr. Greg Slingerland

\_\_\_\_\_  
November 28, 2001

Date:

LL0065

## Notice to Customers in EU countries

### DECLARATION OF CONFORMITY

We Mitel Networks LTD,  
Of Mitel Business Park,  
Portskewett,  
Monmouthshire,  
NP26 5YR, UK



Declare that for the hereinafter mentioned product the presumption of conformity with the applicable essential requirements of

DIRECTIVE 1999/5/EC OF THE EUROPEAN PARLIAMENT (RTTE DIRECTIVE) AND OF THE COUNCIL

is given.

MITEL NETWORKS 5303 Conference Phone

Any unauthorized modification of the product voids this declaration.

For a copy of the original signed Declaration Of Conformity (in full conformance with EN45014) please contact the Regulatory Approvals Manager at the above address.

## Notices

These notices may appear on the product and in the technical documentation.

DANGER	Danger indicates an imminently hazardous situation which, if not avoided, will result in death or serious injury.
WARNING	Warning indicates a potentially hazardous situation which, if not avoided, could result in death or serious injury.
CAUTION	Caution indicates a potentially hazardous situation which, if not avoided, may result in minor or moderate injury and/or damage to the equipment or property.

## Symbols



**This symbol may appear on the product. The exclamation point within an equilateral triangle indicates that important operating and maintenance (servicing) instructions are included in the literature accompanying the product.**

# Guide d'installation et d'utilisation du téléphone de conférence Mitel Networks™ 5303 Conference Phone

## Bienvenue

Félicitations ! Vous venez d'acquérir un téléphone de conférence Mitel Networks 5303 Conference Phone, un module de conférence à la pointe du progrès. Le téléphone de conférence 5303 Conference Phone présente les caractéristiques suivantes, qui assurent un niveau de qualité exceptionnel ainsi qu'une facilité d'utilisation du produit.

- De l'audio en duplex intégral avec annulation de l'écho et atténuation du bruit pour un son de haute qualité ;
- Une technologie de formation de faisceaux acoustiques qui permet d'assurer que toutes les personnes se trouvant dans une salle de conférence peuvent se faire entendre clairement à tout endroit de la pièce ;
- Un mode Présentation qui permet au microphone intégré du module de haut-parleur de capter uniquement les sons d'une zone spécifique pour faciliter les présentations audio ;
- Une compatibilité avec les systèmes de téléphonie d'affaires et le réseau téléphonique commuté ;
- Une interface intuitive et facile à utiliser ;
- Neuf touches de composition abrégée programmables pour l'enregistrement de noms et de numéros de téléphone, ainsi qu'une touche d'afficheur Conférence qui permet de programmer en toute simplicité des appels conférences ;
- La prise en charge de la fonction d'affichage des appels proposée par votre service SI (Système d'Information) ou par la compagnie de téléphone. Pour vous abonner à un service d'affichage des appels, contactez votre service SI ou votre compagnie de téléphone locale.

## Avis de non-responsabilité



DE PAR LA NATURE EVOLUTIVE DE LA CONCEPTION DU PRODUIT, LES INFORMATIONS CONTENUES DANS CE DOCUMENT SONT SUJETTES A CHANGEMENT SANS PREAVIS. MITEL NETWORKS CORPORATION, SES SOCIETES ASSOCIEES OU SES FILIALES DECLINENT TOUTE RESPONSABILITE QUANT AUX ERREURS OU AUX OMISSIONS CONTENUES DANS CES INFORMATIONS.

## **Précautions et consignes importantes en matière de sécurité**

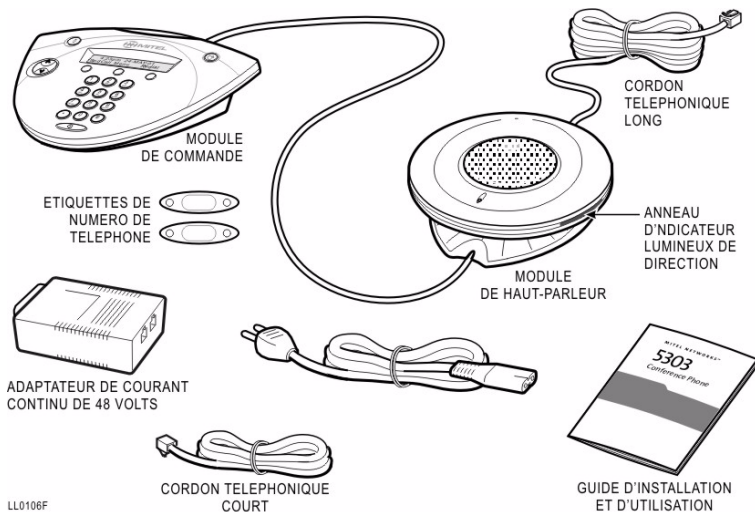
Lorsque vous utilisez le téléphone de conférence Mitel Networks 5303 Conference Phone et l'équipement associé, respectez toujours les consignes de sécurité afin de réduire les risques d'incendie, d'électrocution ou de blessures corporelles. Ces consignes sont notamment les suivantes :

- N'utilisez que des adaptateurs d'alimentation approuvés par Mitel Networks pour alimenter le téléphone de conférence 5303 Conference Phone.
- N'utilisez pas ce produit à proximité de l'eau, par exemple près d'une baignoire, d'une cuvette, d'un évier ou d'un bac à laver, ni dans un sous-sol mouillé ou près d'une piscine.
- Evitez d'utiliser un téléphone pendant un orage. Un éclair pourrait présenter un risque d'électrocution.
- N'utilisez pas le téléphone pour signaler une fuite de gaz si vous vous trouvez à proximité de celle-ci.

# Installation

## Matériel fourni

Le téléphone de conférence 5303 Conference Phone vous est livré avec le matériel ci-dessous. Si jamais il manquait une pièce, contactez votre revendeur Mitel Networks.





**Figure 1** : Eléments du téléphone de conférence 5303 Conference Phone

## Pour obtenir les meilleurs résultats

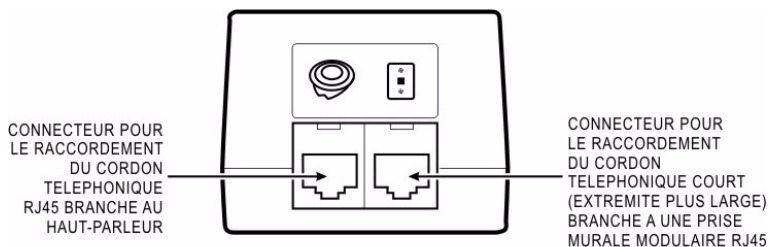
Il est recommandé d'utiliser le téléphone de conférence Mitel Networks 5303 Conference Phone dans une pièce dont les dimensions n'excèdent pas 4,50 m X 7,50 m (15 X 25 pieds). Veillez à installer l'appareil sur une surface plane éloignée des obstacles, y compris des fenêtres et des murs. Le téléphone de conférence 5303 Conference Phone fonctionne de manière optimale dans un environnement peu bruyant. Dans l'idéal, les bruits de fond devraient être inférieurs à 48 dBA, soit environ le bruit provoqué par un ventilateur de plafond ou un rétroprojecteur.

Pour installer le téléphone de conférence 5303 Conference Phone :

- 1 Branchez le cordon téléphonique long dans la prise du haut-parleur (icône ) de l'adaptateur de courant continu de 48 volts.

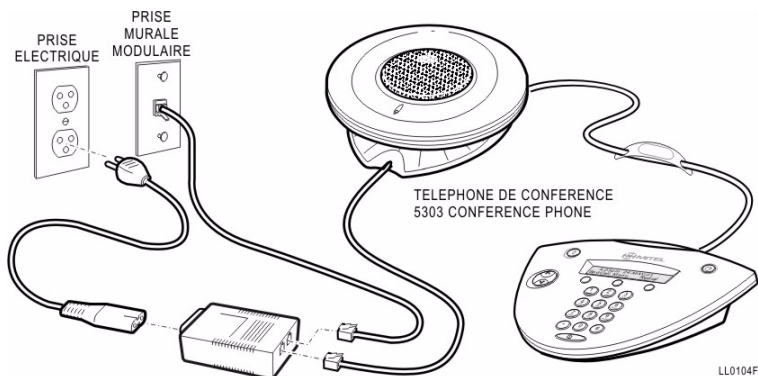
- 2 Le cordon téléphonique court ne dispose pas du même connecteur à chaque extrémité. Branchez l'extrémité dont le connecteur est le plus large (RJ 45) dans l'autre prise (icône ) de l'adaptateur de courant continu de 48 volts. Reportez-vous à la Figure 2.
- 3 Branchez l'autre extrémité du cordon téléphonique court dans une prise téléphonique murale.
- 4 Branchez le cordon d'alimentation (fourni) dans l'adaptateur de courant continu 48 volts et dans une prise électrique. Reportez-vous à la Figure 3 pour une vue d'ensemble de l'installation du téléphone de conférence 5303 Conference Phone.
- 5 A l'aide d'un marqueur, inscrivez le numéro de téléphone de l'appareil sur l'une des étiquettes fournies puis fixez-la au cordon téléphonique. Reportez-vous à la Figure 3.

**Remarque** : Si vous rencontrez des problèmes lors de la configuration d'une conférence à trois (ou lors de l'activation d'autres fonctions offertes par le fournisseur de services), changez la durée de signal du crochet commutateur. Pour plus d'informations, consultez la section « Menu d'installation ».



**Figure 2** : Adaptateur de courant continu de 48 volts

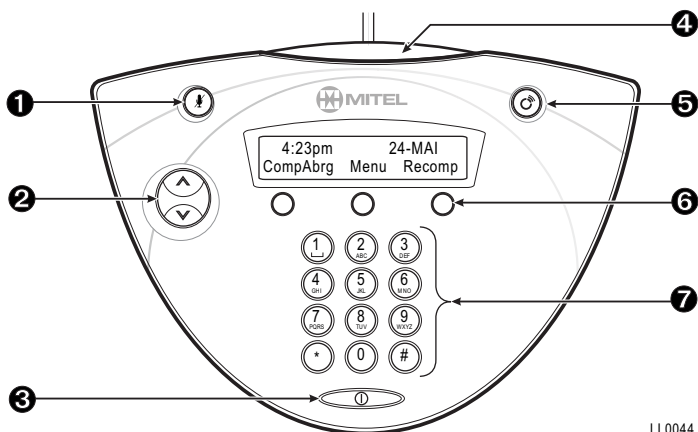
**Mise en garde** : Les adaptateurs de courant continu de 48 volts fournis par Mitel Networks sont les seuls adaptateurs acceptés pour l'alimentation du téléphone de conférence 5303 Conference Phone.



**Figure 3 :** Vue d'ensemble de l'installation

## Aide-mémoire

Le module du téléphone de conférence 5303 Conference Phone comprend un haut-parleur et un module de commande. Le module de haut-parleur contient également un microphone. Le module de commande, présenté à la Figure 4 ci-dessous, permet de composer des numéros et d'accéder aux diverses fonctions du module.



**Figure 4 :** Caractéristiques du téléphone de conférence 5303 Conference Phone

- 1 **Bouton Silence** : Permet de mettre le microphone en mode silencieux afin que vos correspondants ne puissent pas vous entendre. L'anneau d'indicateur lumineux de direction du module de haut-parleur devient orange lorsque la fonction Silence est activée. La fonction Silence se désactive automatiquement lorsque vous mettez fin à l'appel.
- 2 **Bouton de contrôle de niveaux** : Permet de régler le contraste de l'afficheur lorsqu'aucun appel n'est en cours, le volume du haut-parleur lorsque vous êtes en ligne et le volume de la sonnerie lorsque l'appareil sonne.
- 3 **Bouton Marche/Arrêt** : Permet de mettre le téléphone sous tension pour répondre à un appel entrant ou pour effectuer un appel sortant, et de le mettre hors tension à la fin de l'appel.
- 4 **Indicateur d'appel** : Clignote lors de la présentation d'un appel entrant et reste allumé lorsque le téléphone est en fonctionnement.
- 5 **Bouton Mode Présentation** : Permet au microphone de capter la voix d'une seule personne dans un endroit donné d'une pièce. Cette fonction est utile pour les présentations ou lorsqu'une seule personne s'adresse à un groupe de participants à un appel conférence.
- 6 **Touches d'afficheur** : Permet de naviguer parmi les fonctions disponibles au niveau de l'afficheur et de les sélectionner. Pour plus d'informations, consultez la section « Touches d'afficheur ».
- 7 **Clavier** : Permet de composer des numéros de téléphone ou d'entrer des noms et numéros dans le répertoire de composition abrégée. Lorsque vous entrez des noms, utilisez la touche 1 pour les espaces et la touche # pour les caractères spéciaux (? , / , -). Pour entrer une pause d'une demi-seconde dans une composition abrégée, utilisez la touche \*.

## Touches d'afficheur

Les touches d'afficheur vous permettent d'accéder à plusieurs fonctions au moyen de l'afficheur à cristaux liquides.

**CompAbrg** – Vous permet de sélectionner un numéro parmi un maximum de neuf numéros de composition abrégée programmables. Vous pouvez parcourir la liste ou appuyer sur un chiffre compris entre 1 et 9 pour afficher directement le numéro de téléphone correspondant. Pour programmer un numéro de composition abrégée, sélectionnez la touche d'afficheur Menu et suivez les messages-guide.

**Recomp** – Pour recomposer le dernier numéro de téléphone composé.

**Crochet commutateur** – Vous permet de mettre le deuxième participant en attente (vous entendez alors une tonalité) et de composer le numéro du troisième participant. Lorsque vous êtes en ligne avec le troisième participant, appuyez sur le crochet commutateur à nouveau pour amorcer la conférence à trois. Contactez votre service SI ou votre compagnie de téléphone pour obtenir plus d'informations à ce sujet.

**Conf.** - Transmet un code d'accès à une fonction préprogrammée qui peut être nécessaire à la configuration d'une conférence à trois. Pour plus d'informations, référez-vous à l'entrée PROG. ACCÈS CONF ? dans le tableau ci-dessous.

**N° local** - Affiche le numéro de téléphone, composé manuellement, du téléphone 5303 Conference Phone. Pour plus d'informations, référez-vous à l'entrée PROGRAMM. NO LOCAL ? dans le tableau ci-dessous.

**Menu** – Vous permet de programmer diverses fonctions à partir de procédures intuitives détaillées.

PROGRAMM. N° LOCAL ?	Enregistre le numéro de téléphone du module de conférence que vous utilisez afin que vous puissiez facilement le retrouver.
PROGRAM. COMP. ABR. ?	Permet d'enregistrer des noms et des numéros de téléphone qu'il sera ensuite facile de composer. Vous pouvez modifier, supprimer ou programmer des compositions abrégées.
REGLER HEURE/ DATE ?	Règle la date et l'heure. Si votre téléphone affiche le numéro de l'appelant, vous n'avez pas à régler la date et l'heure du téléphone de conférence 5303 Conference Phone. Ces paramètres seront réglés automatiquement lorsque vous recevrez un appel.
CHANGER DE LANGUE ?	Les messages de menu sont affichés par défaut en français.  <b>REMARQUE</b> : Il est possible de sélectionner l'anglais uniquement pour les versions disponibles en Amérique du Nord et Royaume-Uni"

PROG. ACCÈS CONF ?	Permet d'enregistrer le code d'accès à la fonction de service de conférence offerte par votre système de téléphonie d'affaires ou par la compagnie de téléphone locale. Pour amorcer une conférence à trois, il pourrait par exemple être nécessaire d'entrer le code *73. Lorsque cette touche d'afficheur est programmée, elle apparaît sur l'afficheur à cristaux liquides dès que vous effectuez un appel.
-----------------------	--

## Mode Présentation

Le mode Présentation permet au module microphones de capter les sons qui proviennent d'une zone spécifique d'une pièce et d'atténuer les bruits ambiants des autres zones. Cette fonction est particulièrement utile pour les présentations audio se déroulant en conférence téléphonique, lorsque d'autres personnes se trouvent dans la même pièce que le présentateur.

Vous devez désactiver le mode Présentation lorsqu'une personne autre que le présentateur souhaite s'adresser aux participants en ligne. Le présentateur doit demeurer dans la zone sélectionnée pour être entendu.

Pour activer le mode Présentation :

- 1 Commencez à parler.
- 2 Lorsque l'indicateur lumineux de direction (voyant vert) s'allume sur le module du haut-parleur et pointe dans votre direction, appuyez sur le bouton Présentation. Le téléphone de conférence 5303 Conference Phone captera uniquement les sons provenant de la zone où vous vous trouviez lorsque vous avez activé le mode Présentation. Le voyant associé de l'anneau indicateur lumineux de direction commence à clignoter pour indiquer que le module capte votre voix.

Pour désactiver le mode Présentation :

- Appuyez sur le bouton Présentation pour permettre aux autres intervenants de se faire entendre pendant la téléconférence. L'indicateur lumineux de direction associé cesse alors de clignoter.

## Menu d'installation

Le menu d'installation offre les fonctionnalités suivantes :

- Affiche la version actuelle du logiciel du téléphone 5305 Conference Phone.
- Permet de régler tous les paramètres programmables aux valeurs par défaut.
- Permet de changer la durée de signal unique du crochet commutateur lorsque la touche d'afficheur crochet commutateur est enfoncée pendant un appel. La durée du signal du crochet commutateur du téléphone 5303 Conference Phone est préprogrammée par défaut à 300 millisecondes. Contactez votre service SI ou votre compagnie de téléphone pour plus d'informations sur la durée du signal du crochet commutateur recommandée.
- Permet au signal automatique du crochet commutateur d'être activé (par défaut) ou désactivé par le biais de la touche d'afficheur Conf. Si le signal automatique du crochet commutateur est activé, un F apparaît comme première entrée lors de la programmation de la chaîne de la touche de conférence dans la section PROG. ACCÈS CONF ? du menu. Lorsque la touche d'afficheur Conf est enfoncée au cours d'un appel, un signal automatique du crochet commutateur se produira avant l'envoi des caractères de composition programmés.

Pour accéder au menu d'installation et changer la durée du signal du crochet commutateur :

- 1 Mettez le téléphone sous tension, puis appuyez sur le bouton Menu. PROGRAMM. N° LOCAL ? s'affiche.
- 2 Appuyez simultanément sur les boutons Silence et Présentation, puis relâchez-les. Le numéro de version du logiciel s'affiche.
- 3 Pour changer la durée du signal du crochet commutateur, suivez les instructions à l'écran.

Pour quitter le menu d'installation et retourner au fonctionnement normal :

- Appuyez sur le bouton Quitter.

## Entretien et réparation

Le téléphone de conférence 5303 Conference Phone ne contient aucune pièce réparable par l'utilisateur. Pour le faire réparer, retournez le téléphone de conférence 5303 Conference Phone et ses accessoires à un revendeur Mitel Networks agréé.

## Avis réglementaires

### Avis aux clients canadiens

Cet appareil numérique de classe B est conforme à la norme canadienne ICES 003.

**AVIS** : L'étiquette d'Industrie Canada identifie que cet équipement est certifié en conformité avec la norme CS03 d'Industrie Canada. Cette étiquette certifie que le matériel est conforme à certaines normes de protection, d'exploitation et de sécurité des réseaux de télécommunications, telles qu'indiquées dans les documents de matériel terminal. Industrie Canada n'assure toutefois pas que le matériel fonctionnera à la satisfaction de l'utilisateur.

Avant d'installer ce matériel, l'utilisateur doit s'assurer qu'il est permis de le raccorder aux installations de l'entreprise locale de télécommunications. Le matériel doit également être installé en suivant une méthode acceptée de raccordement. L'abonné ne doit pas oublier qu'il est possible que la conformité aux conditions énoncées ci-dessus n'empêche pas la dégradation du service dans certaines situations.

Les réparations du matériel homologué doivent être effectuées par un centre d'entretien canadien agréé désigné par le fournisseur. La compagnie de télécommunications peut demander à l'utilisateur de débrancher un appareil à la suite de réparations ou de modifications effectuées par l'utilisateur ou à cause de mauvais fonctionnement.

Pour sa propre protection, l'utilisateur doit s'assurer que tous les fils de mise à la terre de la source d'énergie électrique, les lignes téléphoniques et les canalisations d'eau métalliques, s'il y en a, sont raccordés ensemble. Cette précaution est particulièrement importante dans les régions rurales.

**AVERTISSEMENT** : L'utilisateur ne doit pas tenter de faire ces raccordements lui-même ; il doit avoir recours à un service d'inspection des installations électriques ou à un électricien, selon le cas.

**AVIS : L'indice d'équivalence de sonnerie (REN)** assigné à chaque dispositif terminal indique le nombre maximal de terminaux qui peuvent être raccordés à une interface téléphonique. Le nombre de dispositifs raccordés à une interface téléphonique n'est limité que par la somme des indices d'équivalence de sonnerie de tous les dispositifs, qui ne doit pas dépasser cinq (5). Le REN pour le téléphone de conférence Mitel Networks 5303 Conference Phone est 0,1.

### Avis aux clients de l'UE

#### DECLARATION DE CONFORMITE

Nous, Mitel Networks LTD,  
de Mitel Business Park,  
Portskewett,  
Monmouthshire,  
NP26 5YR, UK



déclarons que le produit mentionné ci-après est présumé conforme aux exigences essentielles applicables à la

DIRECTIVE 1999/5/EC DU PARLEMENT EUROPEEN (DIRECTIVE RTTE) ET DU CONSEIL.

Téléphone de conférence MITEL NETWORKS 5303 Conference Phone

Toute modification non autorisée apportée au produit annule cette déclaration.

Pour obtenir un exemplaire de la déclaration de conformité originale dûment signée (en conformité totale avec la norme EN45014), veuillez contacter la personne chargée de l'approbation régulatrice à l'adresse ci-dessus.

## Avis

Ces avis peuvent figurer sur le produit et dans la documentation technique.

DANGER	Danger indique une situation dangereuse imminente qui, si elle n'est pas évitée, entraîne le décès ou des blessures graves.
AVERTISSEMENT	Un avertissement indique une situation potentiellement dangereuse qui, si elle n'est pas évitée, pourrait entraîner le décès ou des blessures graves.
MISE EN GARDE	Une mise en garde indique une situation potentiellement dangereuse qui, si elle n'est pas évitée, pourrait entraîner une blessure légère ou moyenne, ou encore endommager l'équipement ou des biens.

## Symboles



**Ce symbole peut figurer sur le produit. Le point d'exclamation à l'intérieur d'un triangle équilatéral indique que d'importantes consignes de fonctionnement et de maintenance (entretien courant) sont fournies dans la documentation accompagnant le produit.**

**Notes/Remarques :**

**Notes/Remarques :**