

MITEL

# 5220 | IP Phone

USER GUIDE

 **MITEL** | it's about **YOU**





# Contents

<b>ABOUT YOUR PHONE</b>	1
Using the 5220 IP Phone in Remote Mode	3
About Feature Access Codes	3
For Users on Resilient 3300 ICP Systems	3
<b>TIPS FOR YOUR COMFORT AND SAFETY</b>	4
Don't cradle the handset!	4
Protect your hearing	4
Adjusting the viewing angle	4
<b>CUSTOMIZING YOUR PHONE</b>	5
Ringer Control	5
Handset Receiver Volume Control	5
Speaker Volume Control	5
Display Contrast Control	5
Feature Keys	6
Language Change	6
<b>MAKING AND ANSWERING CALLS</b>	7
Make a call	7
Answer a call	7
Emergency Calls	8
Phonebook	9
Redial	10
Redial - Saved Number	10
Speed Call Keys	11
Speed Call - Personal	12
Handsfree Operation	13
Auto-Answer	14
Group Listen	14

<b>CALL HANDLING</b>	15
Hold	15
Transfer	15
Conference	16
Conference Split	16
Add Held	16
Swap	16
Call Forward	17
Call Forward - Remote	18
Call Forward - End Chaining	18
Call Forward - Forced	19
Call Forward - Override	19
Messaging - Advisory	19
Messaging - Callback	20
Messaging - Cancel Callback	21
Messaging - Cancel All Callbacks	21
<b>USING ADVANCED FEATURES</b>	22
Account Codes	22
Attendant Call Hold - Remote Retrieve	22
Call Park	23
Call Pickup	24
Campon	24
Do Not Disturb	24
Override	25
Paging	25
Direct Paging	26
Reminder	27
Headset Operation	27
Headset Operation (with Feature Control Switch)	28
Music	28
Group Paging / Meet Me Answer	29
Trunk Flash	29
Record a Call	30
Hot Desking	31
Call History	32
Tag Call	33

<b>USING THE LINE INTERFACE MODULE</b>	34
Making and Answering Calls Using the Analog key	35
Making and Answering Calls Using the Failover Mode	36

## ABOUT YOUR PHONE

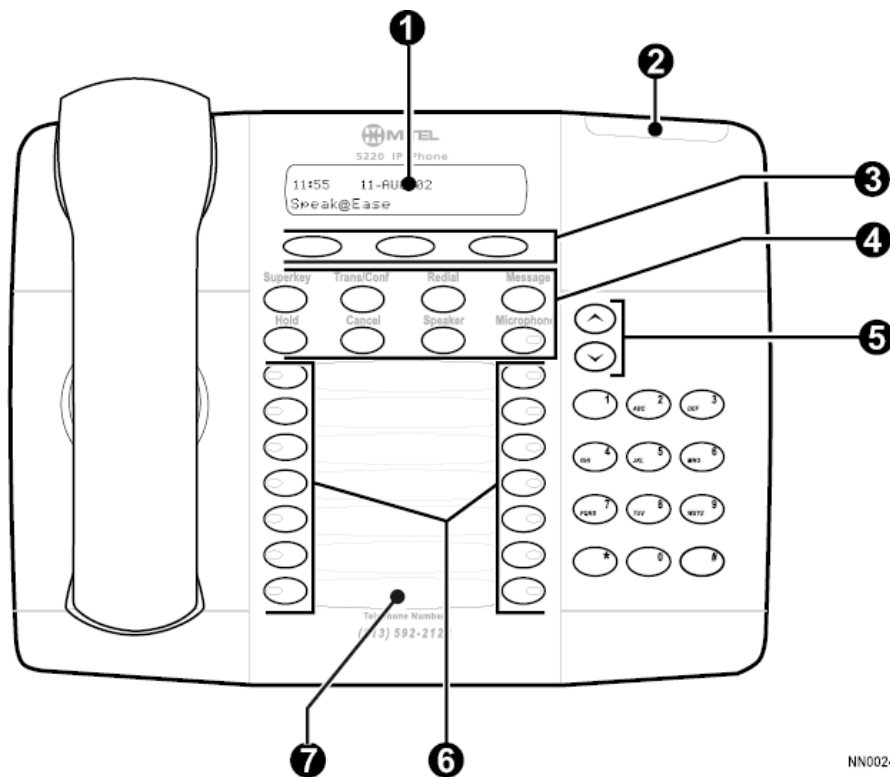
The MITEL NETWORKS 5220IP phone has ten fixed-function keys ( **SUPERKEY**, **TRANS/CONF**, **REDIAL**, **MESSAGE**, **HOLD**, **CANCEL**, **SPEAKER**, **MICROPHONE**, ,  ), three softkeys, and 14 personal keys with built-in status indicators. The personal key on the bottom right is always your Prime Line; the remaining personal keys can be programmed as:

- Feature keys (for example, Swap). You can program feature keys from your phone or using the Desktop Tool. Your administrator can also program feature keys.
- Speed Call keys. You can program speed call keys from your phone, or using the Desktop Tool.
- Line Appearances. Only the administrator can program line appearances.

**Note:** For more information on the Desktop Tool, talk to your system administrator.

Your phone also features display-assisted selection of features, on-hook dialing, and a large Message Indicator.

**Note:** When using the **SuperKey**, press **Cancel** to back up one menu level.



NN0024

1. Display
2. Message Waiting Indicator
3. Softkeys
4. Fixed-Function Keys
5. Volume Control
6. Programmable Feature Keys

### **IMPORTANT NOTE FOR HEADSET USERS:**

Mitel Networks Headsets with Feature Control Switch must be installed in the dedicated headset jack (the jack nearest the front of the set). Installation will disable your handset microphone. Disconnecting the headset at the jack or at the quick-disconnect plug restores handset operation.

#### *Telephone status indicators*

<b>When line is</b>	<b>the indicator is</b>
Idle	Off
Busy	On
Ringing	Flashing slowly
On hold at your phone	Flashing rapidly
On hold at another phone	Flashing slow on/fast off

### **Using the 5220 IP Phone in Remote Mode**

Remote Mode allows the 5220 IP Phone to be used in the home or in other locations away from the office. For information on how to program the 5220 IP Phone for remote operation, refer to the *Remote IP Phones Guide* available at [www.mitel.com](http://www.mitel.com)

### **About Feature Access Codes**

Use of some features requires dialing access codes. The codes are flexible and may be different than those in this guide. Ask your Administrator for a list of codes you should use.

### **For Users on Resilient 3300 ICP Systems**

If during a call, you hear two beeps repeated every 20 seconds it means that your phone is switching to a secondary 3300 ICP system. The call continues and there is a change in the operation of some keys and features on your phone. Normal operation resumes when your phone switches back to the primary system. If your phone is idle and switched to the secondary system, you'll see a flashing rectangle on the display. The rectangle remains until the switch to the primary system is complete.



# TIPS FOR YOUR COMFORT AND SAFETY

## Don't cradle the handset!

Prolonged use of the handset can lead to neck, shoulder, or back discomfort, especially if you cradle the handset between your ear and shoulder. If you use your phone a lot, you may find it more comfortable to use a headset. See the section on headset usage elsewhere in this guide for more information.

## Protect your hearing

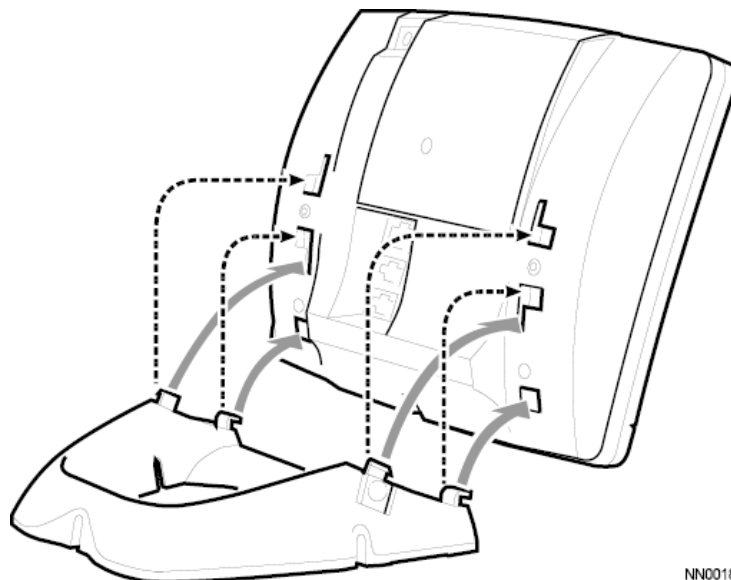
Your phone has a control for adjusting the volume of the handset receiver or headset. Because continuous exposure to loud sounds can contribute to hearing loss, keep the volume at a moderate level.

## Adjusting the viewing angle

The stand built into your phone tilts to give you a better view of the keys.

*To tilt your phone for better viewing:*

1. Press the release tabs on these sides of the stand.
2. Hinge the two front hooks and snap the two back hooks of the stand into either the upper or lower notches on the back of the phone.



NN0018



# CUSTOMIZING YOUR PHONE

## Ringer Control

*To adjust the Ringer Volume while the phone is ringing:*

- Press , .

*To adjust the Ringer Pitch while the phone is idle:*

1. Press **SUPERKEY**.
2. Press the **No** softkey until "Ringer Adjust?" appears.
3. Press the **Yes** softkey.
4. Press the **Yes** softkey.
5. Press , .
6. Press **SUPERKEY**.

## Handset Receiver Volume Control

*To adjust the Handset Receiver Volume when you are using the handset:*

- Press , .

## Speaker Volume Control

*To adjust the Speaker Volume when making an on-hook call or when listening to background music:*

- Press , .

## Display Contrast Control

*To adjust the Display Contrast while your phone is idle:*

- , .

## Feature Keys

You can use the **SUPERKEY** on your phone or the Desktop Tool to program the personal keys. The Desktop Tool is a browser-based interface that makes programming quick and easy.

For more information on using the Desktop Tool, please contact your System Administrator.

*To display information about a key:*

1. Press **SUPERKEY**.
2. Press a personal key or **REDIAL**.
3. Press **SUPERKEY**.

*To re-program a personal key:*

1. Press **SUPERKEY**.
2. Press the **No** softkey until "Personal Keys?" appears.
3. Press the **Yes** softkey.
4. Press a personal key that isn't a line key.
5. Press the **Change** softkey.
6. Press the **No** softkey until the desired feature appears.
7. Press the **Yes** softkey.
8. Press **SUPERKEY**.

## Language Change

*To change the display language:*

1. Press **SUPERKEY**.
2. Press the **No** softkey until "Language?" appears.
3. Press the **Yes** softkey.
4. Press the **Change** softkey.
5. Press the **No** until the desired language appears.
6. Press the **Yes** softkey.

# MAKING AND ANSWERING CALLS

## Make a call

1. Lift the handset.
2. If you want to use a Non-Prime Line, press a Line Appearance key.
3. Dial the number,
  - OR-
  - Press a Speed Call key.
  - OR-
  - Press **REDIAL**.

## Answer a call

- Lift the handset.
  - OR-
  - Press the flashing Line appearance key and lift the handset.

## Emergency Calls

**Warning for emergency number dialing:** Consult your local authorities for Emergency Numbers and 911 or equivalent service availability in your area.

There are two methods of dialing emergency numbers, based on the programming of your 3300 ICP:

- Emergency Call Routing NOT programmed
- Emergency Call Routing programmed

**Caution:** Verify with your System Administrator which type of emergency number dialing you can use.

### **EMERGENCY CALLS WHEN EMERGENCY CALL ROUTING NOT PROGRAMMED**

**If Emergency Call Routing is NOT programmed, Emergency Number dialing should only be performed by picking up the handset and selecting the Line Interface Module key you have programmed. If Privacy Mode is enabled and the Line Interface Module key local line is busy, dialing will not occur on the Line Interface Module line.**

Emergency dialing using an IP connection may not be supported due to ICP system configuration and country location. For more information, contact your System Administrator.

*To make an Emergency Call using the Line Interface Module line:*

1. Lift the handset.
2. Press the Line Interface Module key that you have programmed.  
The set indicates *IP FAIL: ANALOG CALL*
3. Dial your Local Emergency Number.

*To make an Emergency Call using the Line Interface Module line, when the IP connection has failed:*

1. Lift the handset.
2. Press the Line Interface Module key that you have programmed.  
The set indicates *IP FAIL: ANALOG CALL*.
3. Dial your Local Emergency Number.

## **EMERGENCY CALLS WHEN EMERGENCY CALL ROUTING PROGRAMMED**

**Note:** This procedure is in addition to the methods described above.

*To make an Emergency Call if Emergency Call Routing is programmed:*

1. Lift the handset.
2. Dial your Local Emergency Number (911 or equivalent).

For more information on using the Line Interface Module line, refer to Using the Line Interface Module.

## **Phonebook**

For each letter in the last name, press the appropriate key on the keypad until the letter is shown in the display; for example, if the letter C is required, press the digit 2 three times. Use the **←** softkey to correct errors. If the next letter in a name is on the same key as the previous letter, press the **→** softkey before proceeding. If required, use the **→** softkey to add a space between the first and last name.

*To use Phonebook:*

1. Press the **Phonebook** softkey.
2. Enter the last name of the desired party.
3. Press the **Lookup** softkey.
4. If no match exists, edit the original entry.
5. If the name is not unique, press the **Next** softkey.
6. Do one of the following:
  - To make the call, press the **Call** softkey.
  - To edit the entry, press the **Retry** softkey.
  - To exit, press **SUPERKEY**.

## **Redial**

*To redial the last number that you manually dialed:*

1. Lift the handset.
2. Press **REDIAL**.

## **Redial - Saved Number**

*To save the last number that you manually dialed:*

1. Lift the handset.
2. Dial **\*\*79**.

*To Redial a saved number:*

1. Lift the handset.
2. Dial **\*6\***.

## Speed Call Keys

You may use Speed Call Keys to make a call or to send a string of digits during a call (press a Speed Call Key during a call to send a multi-digit password, for instance).

*To dial a stored Speed Call number:*

1. Lift the handset.
2. Press a Speed Call key.

*To store a Speed Call number:*

1. Press **SUPERKEY**.
2. Press the **No** softkey until "Personal Keys?" appears.
3. Press the **Yes** softkey.
4. Press a personal key that isn't a line key.
5. Press the **Change** softkey.
6. Press the **Yes** softkey.
7. Do one of the following:
  - To enter a new number, dial the number. Press **HOLD** between digits to create a pause during dialing; press **HOLD** more than once to lengthen the pause.
  - To enter a trunk flash, press **TRANS/CONF**. (See "Trunk Flash" for more information about the use of this feature.)
  - To enter the last number dialed, press **REDIAL**.
8. If you want the number to be private, press the **Priv** softkey.
9. Press the **Save** softkey.
0. Press **SUPERKEY**.



## **Speed Call - Personal**

*To dial a stored personal Speed Call number:*

1. Lift the handset.
2. Dial **\*58**.
3. Enter an index number between **00** and **09**.

*To store a personal Speed Call number:*

1. Lift the handset.
2. Dial **\*67**.
3. Enter an index number between **00** and **09**.
4. Dial the number to be stored (press **Hold** between digits to create a pause during dialing - press **Hold** more than once to lengthen the pause).
5. Hang up.

## Handsfree Operation

*To use Handsfree Operation to make calls:*

1. If you want to use a Non-Prime Line, press a Line Appearance key.
2. Dial the number.
3. Communicate by using the speaker and the microphone.

*To use Handsfree Operation to answer calls:*

1. Press the flashing line key.
2. Communicate by using the speaker and the microphone.

*To hang up while using Handsfree Operation:*

- Press **SPEAKER**.

*To temporarily disable the microphone during Handsfree Operation:*

- Press **MICROPHONE** (the microphone LED turns off).

*To re-enable the microphone and return to the conversation:*

- Press **MICROPHONE** (the microphone LED turns on).

*To disable Handsfree Operation:*

- Lift the handset.

*To return to Handsfree Operation:*

1. Press **SPEAKER**.
2. Hang up.

## **Auto-Answer**

*To enable or disable Auto-Answer:*

1. Press **SUPERKEY**.
2. Press the **No** softkey until "Auto Answer?" appears.
3. Do one of the following:
  - To enable Auto-Answer, press the **TurnOn** softkey.
  - To disable Auto-Answer, press the **TurnOff** softkey.

*To answer a call when you hear ringback:*

- Communicate by using the speaker and the microphone.

*To terminate a call:*

- Press **CANCEL**.
- OR-
- Wait for the caller to hang up.

## **Group Listen**

With Group Listen you can carry on a conversation using the handset or headset while allowing others nearby to listen to the person at the far end over the handsfree speaker in your phone. While Group Listen is active, the handsfree microphone in your phone is turned off.

*To allow others in the room to listen to the far end of your call:*

- Press the **Group Listen** feature key.

*To return to a private two-way call from Group Listen:*

- Press the **Group Listen** feature key.

*To change a Group Listen call into a Handsfree call so that others in the room can join the conversation:*

1. Press **SPEAKER**.
2. Hang up the handset.

# CALL HANDLING

## Hold

*To place a call on Hold:*

- Press **Hold**.

*To retrieve a call from Hold:*

1. Lift the handset.
2. Press the flashing line key.

*To retrieve a call from Hold at another station:*

- Press the flashing line key.  
-OR-  
Dial **\*\*1** and the number of the station that placed the call on Hold.

## Transfer

*To Transfer an active call:*

1. Press **TRANS/CONF**.
2. Dial the number of the third party.
3. Do one of the following:
  - To complete the Transfer, hang up.
  - To announce the Transfer, wait for an answer, consult, and hang up.
  - To cancel the Transfer, press **CANCEL**.

*To transfer an active call during headset operation:*

1. Press **TRANS/CONF**.
2. Dial the number of the third party.
3. To complete the Transfer, press the **Release** feature key.

## Conference

*To form a Conference when a two-party call is already in place, or to add another party to an existing Conference:*

1. Press **TRANS/CONF**.
2. Dial the number of the next party.
3. Wait for an answer.
4. Press **TRANS/CONF**.

*To leave a Conference:*

- Hang up.

## Conference Split

*To Split a Conference and speak privately with the original party:*

- Press the **Split** softkey.

## Add Held

*To move a call on Hold to another line appearance:*

1. Press the available line key.
2. Press the **Addheld** softkey.
3. Press the flashing line key.

*To add a call on Hold to an existing conversation or conference:*

1. Press the **Addheld** softkey.
2. Press the flashing line key.

## Swap

*To call another party when you are in an established two-party call:*

1. Press **TRANS/CONF**.
2. Dial the number.

*To alternate between the two parties:*

- Press the **Trade** softkey.

## Call Forward

Call Forward lets you redirect incoming calls to an alternate number. Always redirects all incoming calls regardless of the state of your phone. B-Int redirects internal calls when your phone is busy, and B-Ext redirects external calls when your phone is busy. NA-Int redirects internal calls after several rings if you don't answer, and NA-Ext redirects external calls after several rings if you don't answer.

**Note:** For information about "I'm Here?", see Call Forward - Remote.

*To program Call Forward:*

1. Press **SUPERKEY**.
2. Press the **No** softkey until "Call Forwarding?" appears.
3. Press the **Yes** softkey.
4. Press the **Next** softkey until the type of Call Forward appears (see above).
5. Press the **Review** softkey.
6. If a number is already programmed, press the **Change** softkey.
7. Press the **Program** softkey.
8. Dial the destination number.
9. Press the **Save** softkey.

*To turn Call Forward on and off (once it has been programmed):*

1. Press **SUPERKEY**.
2. Press the **No** softkey until "Call Forwarding?" appears.
3. Press the **Yes** softkey.
4. Press the **Next** softkey until the type of Call Forward appears.
5. Press the **Review** softkey.
6. Press the **Change** softkey.
7. Do one of the following:
  - To turn Call Forward on, press the **TurnOn** softkey.
  - To turn Call Forward off, press the **TurnOff** softkey.

## Call Forward - Remote

*To forward calls from a remote station to your current location:*

1. Press **SUPERKEY**.
2. Press the **No** softkey until "Call Forwarding?" appears.
3. Press the **Yes** softkey.
4. Press the **Next** softkey until "I Am Here" appears.
5. Press the **Yes** softkey.
6. Dial the extension of the remote station.
7. Press the **Save** softkey.

*To cancel Call Forward - Remote from the station that set the remote forwarding:*

1. Lift the handset.
2. Dial **\*\*77**.
3. Dial the extension of the remote station.
4. Hang up.

*To cancel Call Forward - Remote from the station that was forwarded:*

1. Press **SUPERKEY**.
2. Press the **No** softkey until "Call Forwarding?" appears.
3. Press the **Yes** softkey.
4. Press the **Review** softkey.
5. Press the **Change** softkey.
6. Press the **TurnOff** softkey.
7. Press **SUPERKEY**.

## Call Forward - End Chaining

*To ensure that calls do not get forwarded again by the destination number:*

1. Lift the handset.
2. Dial **64**.
3. Hang up.

*To again allow calls to be forwarded by the destination number:*

1. Lift the handset.
2. Dial **\*\*73**.
3. Hang up.

## **Call Forward - Forced**

*To force an incoming call to be forwarded:*

- Press the **Forward** softkey.

## **Call Forward - Override**

*To override Call Forward and ring a station:*

1. Lift the handset.
2. Dial **\*1\***.
3. Dial the extension number.

## **Messaging - Advisory**

*To turn Messaging - Advisory on:*

1. Press **SUPERKEY**.
2. Press the **No** softkey until "Advisory Msgs?" appears.
3. Press the **Yes** softkey.
4. Press the **Next** softkey until the desired message appears.
5. Press the **TurnOn** softkey.

*To turn Messaging - Advisory off:*

1. Press **SUPERKEY**.
2. Press the **No** softkey until "Advisory Msgs?" appears.
3. Press the **Yes** softkey.
4. Press the **TurnOff** softkey.



## **Messaging - Callback**

*To leave a message waiting indication on a phone when you hear busy or ringback tone:*

- Press **MESSAGE** or the **Callback** softkey.

*To respond to a message waiting condition on your phone:*

1. Press **MESSAGE**.
2. If a password is required, dial your password and press the **Enter** softkey.
3. Press the **Yes** softkey.
4. Do one or all of the following (if required):
  - To display the time the message was sent, press the **More** softkey.
  - To display the number of the caller, press the **More** softkey twice.
5. Do one of the following:
  - To call the message sender, press the **Call** softkey.
  - To delete the message, press the **Erase** softkey.
  - To view the next message, press **MESSAGE**.

*To check for messages from a remote station:*

1. Press **SUPERKEY**.
2. Press the **No** softkey until "Remote Msging?" appears.
3. Press the **Yes** softkey.
4. Dial your extension number.
5. Press the **Enter** softkey.
6. If a password is required, enter your password and press the **Enter** softkey.
7. Press the **Yes** softkey.

*To set, change, or clear a password (up to 7 digits, not including 0):*

1. Press **SUPERKEY**.
2. Press the **No** softkey until "Set Password?" appears.
3. Press the **Yes** softkey.
4. Do one of the following:
  - To enter a new password, enter your password.
  - To change or clear your password, enter your current password.
5. Press the **Enter** softkey.
6. If you are changing or clearing your password, do one of the following:
  - To change your password, enter your new password and press the **Enter** softkey.
  - To clear your password, enter **0**.
7. Enter your new password again.
8. If you are setting up or changing a password, press the **Enter** softkey.
9. Press **SUPERKEY**.

### **Messaging - Cancel Callback**

*To cancel a Callback:*

1. Lift the handset.
2. Dial **\*1#**.
3. Dial the number of the called station.
4. Hang up.

### **Messaging - Cancel All Callbacks**

*To cancel all Callbacks:*

1. Lift the handset.
2. Dial **#1**.
3. Hang up.

# USING ADVANCED FEATURES

## Account Codes

*To use Forced Account Codes:*

1. Lift the handset.
2. Dial the Account Code digits.
3. Press #.

*To enter an Account Code during a call:*

1. Press **SUPERKEY**.
2. Press the **Yes** softkey.
3. Dial the Account Code digits.
4. Press the **Save** softkey.
5. Do one of the following:
  - For a verified account code, press the **Yes** softkey.
  - For a non-verified account code, press the **No** softkey.

## Attendant Call Hold - Remote Retrieve

*To retrieve a call placed on Hold by the attendant:*

1. Lift the handset.
2. Dial \*23.
3. Dial the digits announced by the attendant.

## Call Park

The Call Park feature allows you to place a call in a special hold state. You, or someone else, can then retrieve the call from any extension in the system.

After parking the call, the system can automatically connect you to paging equipment so that you can announce the call to the requested party.

### *To park an active call:*

1. Do one of the following:
  - Press the **Call Park** feature key (must be programmed)
  - Press **TRANS/CONF**, and then dial **\*7#**.  
The display shows PARKED@, followed by the park destination and parking spot index (if applicable). Example: PARKED@ 1234 @ 02.
2. Dial the directory number on which to park the call (not required if the number is programmed to the **Call Park** feature key).
3. To inform a user that a parked call is waiting, do one of the following:
  - If automatic paging is enabled, announce the call and the park retrieve digits shown on the display.
  - If automatic paging is disabled, press the programmed **Page** key, or dial **\*\*9**, followed by the Paging zone number (if required). Then, announce the call and park retrieve digits shown on the display.

**Note:** Paging over a loudspeaker is not permitted in handsfree mode; you must use the handset or headset.

### *To retrieve a parked call:*

1. Do one of the following:
  - Dial **\*8#**.
  - Press the **Call Park - Retrieve** feature key (must be programmed).
2. Dial the directory number on which the call is parked (not required if the number is programmed to the **Call Park** feature key).
3. If there are multiple calls parked on the number, dial the two-digit index number to retrieve a specific call, or **#** to retrieve the longest parked call.

## Call Pickup

*To answer a call that is ringing at another station in your Pickup Group:*

1. Lift the handset.
2. Press the **Pickup** softkey.

*To answer a call that is ringing at a station not in your Pickup Group:*

1. Lift the handset.
2. Dial **\*\*6**.
3. Dial the number of the ringing station.

## Campon

*To Campon to a busy station:*

- Press the **Wait** softkey.

*To retrieve a call when you hear Campon tone:*

- Press the **Trade** softkey.

## Do Not Disturb

*To activate or deactivate Do Not Disturb:*

- Press the **Do Not Disturb** feature key.

*To activate Do Not Disturb from a remote station:*

1. Lift handset.
2. Dial **\*\*5**.
3. Dial the number of the station to which **Do Not Disturb** is to apply.
4. Hang up.

*To deactivate Do Not Disturb from a remote station:*

1. Lift handset.
2. Dial **##5**.
3. Dial the number of the station with **Do Not Disturb** activated.
4. Hang up.

## **Override**

*To use Override when you encounter busy or DND tone:*

- Press the **Intrude** feature key.

## **Paging**

*To use Paging:*

1. Lift handset.
2. Press the **Pager** feature key.
3. Dial the Paging zone number (if required).
4. Make the announcement.

## Direct Paging

Direct Paging allows you to page a party through their phone speaker. If the paged party has Off-Hook Voice Announce enabled, the page will be heard even when the party is on a handset or headset call.

*To page a party:*

1. Lift the handset.
2. Press the **Direct Paging** feature key.
3. Dial the extension number.
4. Speak to the dialed party after the tone.

If Handsfree Answerback has been turned on at your phone and you receive a Direct Page while your phone is idle, or while you are on a handset or headset call, a handsfree call will automatically be established after a single burst of tone.

The following instructions assume that Handsfree Answerback is not enabled on your phone.

*To answer a Direct Page (indicated by a single burst of tone):*

- Lift handset.

- OR -

Press **MICROPHONE**.

*To answer a page while using the handset:*

- Press **MICROPHONE**.

*To enable or disable Handsfree Answerback:*

- Press **MICROPHONE** while the phone is idle.

## Reminder

*To program a Reminder:*

1. Press **SUPERKEY**.
2. Press the **No** softkey until "Timed Reminder?" appears.
3. Press the **Yes** softkey.
4. Enter the time in 24-hour format.
5. Press the **Save** softkey.

*To view, change, and/or cancel a pending Reminder:*

1. Press **SUPERKEY**.
2. Press the **No** softkey until "Timed Reminder?" appears.
3. Press the **Yes** softkey.
4. Do one of the following:
  - To change the Reminder, press the **Change** softkey, enter the new time, and press the **Save** softkey.
  - To cancel the Reminder, press the **Clear** softkey.
  - To exit without canceling the Reminder, press **SUPERKEY**.

*To acknowledge a Reminder when your phone rings once:*

- Press the **Confirm** softkey.

## Headset Operation

*To enable Headset Operation:*

- Press the **Headset** feature key.

*To answer a call (when Auto Answer is disabled):*

- Press the flashing line key.

*To hang up:*

- Press **CANCEL**.

*To disable Headset Operation:*

- Press the **Headset** feature key.



## Headset Operation (with Feature Control Switch)

**IMPORTANT NOTE:** Mitel Networks Headsets with Feature Control Switch must be installed in the dedicated headset jack (the jack nearest the front of the phone). Installation will disable your handset microphone. Disconnecting the headset at the jack or at the quick-disconnect plug restores handset operation. If handset operation is required for an extended period of time, you should press the Headset feature key to return the phone to handset mode.

*To enable Headset Operation:*

- Press the **Headset** feature key.

*To answer a call:*

- Press flashing Line Appearance key  
-OR-  
Quickly press and release the headset's feature control switch.

*To mute the headset microphone:*

- Press and hold the headset's feature control switch.

*To hang up:*

- Press **CANCEL**.  
-OR-  
Quickly press and release the headset's feature control switch.

*To disable Headset Operation:*

- Press the **Headset** feature key.

## Music

*To turn Music on and off when the phone is idle:*

1. Press **SUPERKEY**.
2. Press the **No** softkey until "Music?" appears.
3. Do one of the following:
  - To turn the music on, press the **TurnOn** softkey.
  - To turn the music off, press the **TurnOff** softkey.
4. Press **SUPERKEY**.

## Group Paging / Meet Me Answer

Group Paging allows you to page a group of phones through their built-in speakers. You can belong to as many as three paging groups with one group designated as your "prime" group.

When you need to respond to a Group Page but don't know the identity or extension number of the paging party, use the Meet Me Answer feature. You have up to 15 minutes after receiving the page to use Meet Me Answer.

### *To make a Group Page:*

1. Lift the handset.
2. Press **Direct Page** or dial **\*37**.
3. Do one of the following:
  - To page your prime page group, press **#**.
  - To page a specific page group, dial the page group directory number.
4. Speak to the dialed party after the tone.

### *To respond to a Group Page by using Meet Me Answer:*

1. Lift handset.
2. Dial **\*88**.
3. Do one of the following:
  - To respond to a page from your prime page group, press **#**.
  - To respond to a page from a specific page group, dial the page group directory number.

## Trunk Flash

The Trunk Flash feature allows you to access Centrex features (if available) while you are talking on an outside call.

### *To flash a trunk while talking on an outside call:*

1. Press **TRANS/CONF**.
2. Dial **\*57** for a single flash or **\*56** for a double flash.
3. Wait for dial tone.
4. Dial the Centrex feature access code.

## Record a Call

This feature uses your voice mail system to record your phone conversations.

**Note:** You may be required by law to inform the other party that you are recording the conversation. For specific instructions, consult your system administrator.

*To start recording while on a two-party call:*

- Press the **Record Call** key. (See *Feature Keys* elsewhere in this guide for instructions on programming a **Record Call** key to your phone.)

**Note:** Your system may be programmed to automatically begin recording external calls when you or the other answers.

*To pause recording:*

- Press the **Pause** softkey.

*To resume recording after pausing:*

- Press the **Resume** softkey.

*To stop a recording without saving it:*

- Press the **Stop&Erase** softkey.

*To stop and save a recording:*

- Press the **Stop&Save** softkey.

Putting the call on hold saves the recording; taking the call off hold starts a new recording. Depending on system programming, hanging up, or pressing **TRANS/CONF** or a **DSS** key, may also save the recording.

*To listen to a recording:*

1. Lift the handset.
2. Access your voice mailbox.
3. Follow the prompts to retrieve the recording.

## Hot Desking

Hot Desking allows you to log into the telephone system from any phone designated as a Hot Desk phone. Simply log in at the phone using your assigned Hot Desk User Extension Number and the phone immediately assumes all your speed dials, features keys, call forwarding setup, and line appearances - even your language preference for the display. Any changes you make to the phone while you are logged in--for example, adding a speed dial--are saved to your personal profile. Logging in activates your profile on any phone that supports Hot Desking.

**Note:** All Hot Desking profiles have 13 programmable keys. If you log into a phone that has a fewer number of keys, the extra ones are "hidden". Only the use of the extra keys is lost, not the features assigned to them.

*To log into a Hot Desking phone (the phone must be idle):*

1. Press the **HotDesk** softkey.
2. Press the **Login** softkey.
3. Enter your Hot Desk User Extension Number
4. Press the **OK** softkey.

*To log out of Hot Desking phone (the phone must be idle):*

1. Press the **HotDesk** softkey.
2. Press the **Logout** softkey.
3. Press the **Confirm** softkey.

**Note:** Your profile can only be active on one phone at a time. If you log in from another phone without logging out from the first one, the system will automatically deactivate your profile on the first phone.

### Hot Desk Remote Logout

A user that has forgotten to log out of a Hot Desking phone can be logged out using any phone that supports Hot Desk Remote Logout.

*To remotely log out a Hot Desking phone:*

1. Dial **111**.
2. Dial the Hot Desk User Extension Number that you want to log out.

## Call History

Call History keeps track of the names (if available) and telephone numbers of missed calls, answered incoming external calls, and outgoing external calls. Once enabled on your phone by your system administrator, it functions automatically.

*To display the call history, and view call detail:*

1. Press the **Call History** feature key. The total number of missed calls is displayed in brackets ( ), the number of new missed calls is indicated with a \*.
2. To browse through the list of missed calls, press the **Yes** softkey, followed by the **UP** and **DOWN** keys to scroll through the list. To view answered or outgoing calls, press the **No** softkey (once for answered, twice for Outgoing). Use the **UP** and **DOWN** keys to scroll through the list of answered or outgoing calls.
3. To view the number of the call, press the **Detail** softkey while the call record is displayed. Pressing the **Next** softkey displays the time and date.

*To return a call:*

1. Display the call you want to return.
2. Do one of the following:
  - If the call is internal, and the caller name is known, press the **Call** softkey. For unknown numbers, the **Call** softkey is not displayed.
  - If the call is external, and you normally need to precede external calls with a digit such as 9, it's likely that your system administrator has programmed your system to insert the 9 for you. In this case, pressing the **Call** softkey initiates the call immediately. Sometimes the system will be unable to complete the dialing automatically. When this happens, you are prompted to edit the dialed digits manually by placing a flashing cursor at the first digit position, using the --> softkey icon in the middle of the display. Use the --> softkey to move the cursor to the appropriate digit and press **Clear** to delete the digit. When you have deleted the required digits, type the correct digits to replace them. When you have the dial string edited to suit your needs, press the **Call** softkey to dial the number.

*To delete all missed, answered, or outgoing call logs:*

1. After selecting the type of logs you wish to delete, press the **DeleteAll** softkey.
2. Confirm that you do want to delete all items by pressing the **Yes** softkey.

*To delete a particular call from the call log:*

- With the call log that you want to delete displayed, press the **Delete** softkey.

## **Tag Call**

Tag Call allows you to signal that you are the victim of a threatening or malicious call. Using the tag, your system administrator or telephone company can identify the source of the call and provide this information to appropriate personnel or authorities.

**CAUTION: Tagging a non-malicious call may result in fines or other penalties.**

*To tag a malicious call:*

- Press the **Tag Call** feature key while the call is in progress.  
See "Feature Keys" elsewhere in this guide for information on programming a Tag Call feature key to your phone.
- OR-
- Press **TRANS/CONF**.
- Dial **\*55**.

If the call was successfully tagged "Thank You" is shown on the display; otherwise, "Not Allowed" is displayed.

**Note:** Tag Call can be used on active two-party calls only. Calls on hold and conference calls cannot be tagged.

## USING THE LINE INTERFACE MODULE

The 5220 IP Phone supports the Mitel Line Interface Module. The Line Interface Module allows you to make and receive calls over an analog line (Line Interface Module line) connected to your phone. The Line Interface Module operates in either of the following two modes, as determined by your System Administrator:

- **Line Interface Module Mode:** your phone allows you to use the Line Interface Module line at any time
- **Failover Mode:** you can use the Line Interface Module line only when the IP connection has failed

**Note:** Handsfree and on-hook dialing are not supported on the Line Interface Module line.

For information on emergency number dialing using the Line Interface Module, refer to Emergency Calls.

## **Making and Answering Calls Using the Analog key**

*To make a call using the Analog line:*

1. Lift the handset.
2. Press the key you programmed as Line Interface Module.  
*ANALOG CALL* is displayed.
3. Dial the number.

**Note:** When you make an external call over the analog line, a prefix dialing number is not required. If your phone's Line Interface Module key has the Privacy option enabled, you cannot access the analog line when another phone is using the analog line (key is solid orange). To access the analog line, the user of the other phone must first hang up. To determine whether the Privacy option is enabled, contact your System Administrator.

*To answer a Call using the analog line:*

1. Lift the handset.
2. Press the Line Interface Module key that is highlighted.

*To answer a waiting call on the analog line:*

**Note:** If you have subscribed to an analog call waiting service, you may use the hookswitch or press **CANCEL** to answer a waiting analog call. When you are on an analog call and a waiting analog call arrives, you hear a beep. This feature may not be supported in all regions.

*To answer a waiting analog call or return to the original analog call:*

1. Do one of the following:
  - Press and release the hookswitch
  - Press **CANCEL**
2. Press the key you have programmed as Line Interface Module.

*To put a current call on hold to answer an incoming analog call:*

- Press the highlighted Line Interface Module key.



*To switch between the current call and the held call when one of the calls is using the analog line, do one of the following:*

- If your current call is using the analog line, press the flashing Line key of the held call. The analog call is automatically put on hold.
- If your current call is using an IP line, press the highlighted Line Interface Module key. The IP line is automatically put on hold.

*To end a current call when an incoming analog call arrives:*

- Press **CANCEL**, and then press the flashing Line Interface Module key. The current call ends and you are connected to the caller on the analog line.

*To end the current analog call when an incoming call arrives:*

- Press **CANCEL**. The current analog call ends and you are connected to the new caller.

## **Making and Answering Calls Using the Failover Mode**

*To make a call using the analog line during an IP connection failure:*

1. Lift the handset.  
The phone displays *IP FAIL: ANALOG CALL*.
2. Dial the number.

*To answer a call using the analog line during an IP connection failure:*

- Lift the handset. The call is answered.  
The phone displays *IP FAIL: ANALOG CALL*.



™, © Trademark of Mitel Networks Corporation.  
© Copyright 2006, Mitel Networks Corporation.  
All rights reserved.