

MITEL NETWORKS

# 5215 | IP Phone

USER GUIDE

 **MITEL** | it's about **YOU**



# Contents

<b>ABOUT YOUR PHONE</b>	<b>1</b>
<b>TIPS FOR YOUR COMFORT AND SAFETY</b>	<b>2</b>
<b>CUSTOMIZING YOUR SET</b>	<b>4</b>
Ringer Control	4
Handset Receiver Volume Control	4
Speaker Volume Control	4
Display Contrast Control	4
Feature Keys	5
Language Change	6
<b>MAKING AND ANSWERING CALLS</b>	<b>7</b>
Make a call	7
Answer a call	7
Redial	7
Speed Call Keys	8
Speed Call - Personal	9
Handsfree Operation	10
Auto-Answer	11

<b>CALL HANDLING</b>	<b>11</b>
Hold	11
Transfer	12
Conference	12
Swap	12
Call Forward	13
Call Forward (Enhanced)	14
Call Forward (No Internal/External Split)	16
Call Forward (No Internal/External Split - Enhanced)	17
Call Forward - I'm Here	18
Call Forward - Forced	19
Call Forward - Toggle	19
Messaging - Advisory	20
Messaging - Callback	20

<b>USING ADVANCED FEATURES</b>	<b>21</b>
Account Codes	21
Callback	21
Call Park	22
Call Park - System	23
Call Pickup	23
Campon	23
Do Not Disturb	24
Override (Intrude)	24
Paging - PA	24
Paging - Direct	24
Paging - All Set	25
Paging - Group	25
Handset Mute	25
Direct Station Select/Busy Lamp Field (DSS/BLF)	26
DSS/BLF/Call Pickup	26
Direct Page/BLF	26
DSS/BLF/Direct Page/Call Pickup	27
Headset Operation	27
Headset Operation (Headset with Feature Control Switch)	28
Music	28
Record a Call	29
Reminder	30
Reminder - Multiple	31
<b>FEATURE ACCESS CODES</b>	<b>32</b>

# ABOUT YOUR PHONE

The Mitel Networks 5215 IP phone has ten fixed-function keys ( **SUPERKEY, HOLD, TRANS/CONF, CANCEL, REDIAL, SPEAKER, MESSAGE, MICROPHONE ▲** and **▼** ) and seven personal keys with built-in status indicators. The personal key on the bottom left is always your Prime Line; the remaining personal keys can be programmed as Feature, Speed Call, or Line Appearance keys.

Personal Keys can be programmed as Feature Keys (such as **Swap** key) by you or by your Administrator.

Your telephone also features display-assisted selection of features, on-hook dialing, and a large Message Indicator.

**Note:** When using the **SuperKey**, press **Cancel** to back up one menu level.

## **IMPORTANT NOTE FOR HEADSET USERS:**

Mitel Networks Headsets with Feature Control Switch must be installed in the dedicated headset jack (the jack nearest the front of the set). Installation will disable your handset microphone. Disconnecting the headset at the jack or at the quick-disconnect plug restores handset operation.

### *Telephone status indicators*

<b>When line is</b>	<b>the indicator is</b>
Idle	Off
Busy	On
Ringing	Flashing slowly
On hold at your set	Flashing rapidly
On hold at another set	Flashing slow on/fast off

## TIPS FOR YOUR COMFORT AND SAFETY

### Don't cradle the handset!

Prolonged use of the handset can lead to neck, shoulder, or back discomfort, especially if you cradle the handset between your ear and shoulder. If you use your phone a lot, you may find it more comfortable to use a headset. See the section on headset usage elsewhere in this guide for more information.

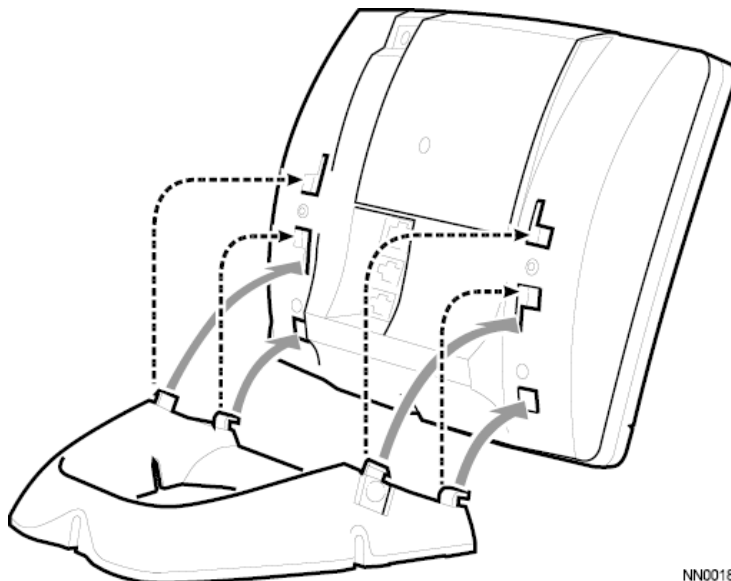
### Protect your hearing

Your phone has a control for adjusting the volume of the handset receiver or headset. Because continuous exposure to loud sounds can contribute to hearing loss, keep the volume at a moderate level.

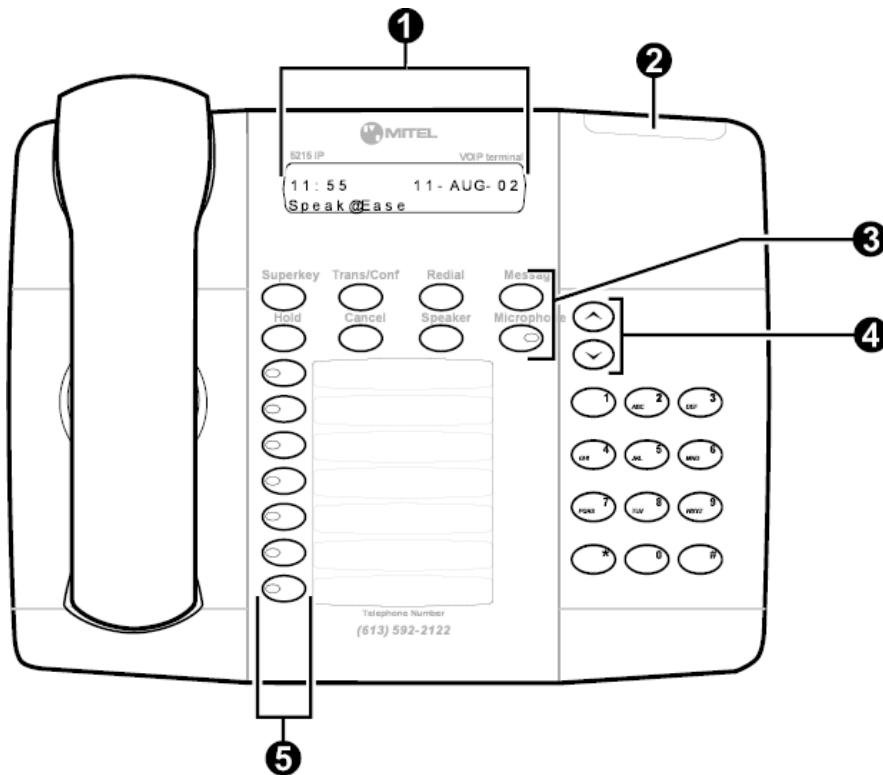
### Adjusting the viewing angle

The stand built into your phone tilts to give you a better view of the keys and display.

1. Press the release tabs on these sides of the stand.
2. Hinge the two front hooks and snap the two back hooks of the stand into either the upper or lower notches on the back of the phone.



NN0018



NN0087

1. Display
2. Message Waiting Indicator
3. Fixed-Function Keys
4. Volume Control
5. Programmable Feature Keys



# CUSTOMIZING YOUR SET

## Ringer Control

*To adjust the Ringer Volume while the set is ringing:*

- Press ▲ or ▼.

*To adjust the Ringer Pitch while the set is idle:*

1. Press **SUPERKEY**.
2. Press **#** until "Ringer Adjust?" appears.
3. Press **\*** for Yes.
4. Press **\*** to adjust the ringer pitch.
5. Press ▲ or ▼.
6. Press **#** to save.
7. Press **SUPERKEY**.

## Handset Receiver Volume Control

*To adjust the Handset Receiver Volume when you are using the handset:*

- Press ▲ or ▼.

## Speaker Volume Control

*To adjust the Speaker Volume when making an on-hook call or when listening to background music:*

- Press ▲ or ▼.

## Display Contrast Control

*To adjust the Display Contrast while your set is idle:*

- Press ▲ or ▼.

## Feature Keys

*To display information about a key:*

1. Press **SUPERKEY**.
2. Press a personal key.
3. Press **SUPERKEY**.

*To program a feature key:*

1. Dial **47**.
2. Press an unused personal key.
3. Dial the feature code for the desired feature key.
4. Press **CANCEL**.

## **Feature Code    Feature Key**

01	Call Forward
02	Account Code
03	Do Not Disturb
04	Auto Answer
05	Music
06	Direct Page
07	Paging - PA
08	Pickup
09	Campon
10	Callback
11	Swap
12	Privacy Release
13	Intrude
14	Night Answer
15	Forward Call
18	Release
19	Single Flash
20	Double Flash
21	Headset Mode
22	Headset Mute
23	Call Park
24	System Park
25	Call Forward Always Toggle
26	Call Forward Busy Toggle
27	Call Forward No Answer Toggle
28	Call Forward Busy/No Answer Toggle

## **Language Change**

*To change the display language:*

1. Press **SUPERKEY**.
2. Press **#** until "Language?" appears.
3. Press **\*** for Yes.
4. Press **\*** to change the language.
5. Press **#** until the desired language appears.
6. Press **\*** to save your selection.

# MAKING AND ANSWERING CALLS

## Make a call

1. Lift the handset.
2. If you want to use a Non-Prime Line, press a Line Appearance key.
3. Dial the number.
  - OR-
  - Press a Speed Call key.
  - OR-
  - Press **REDIAL**.

## Answer a call

- Lift the handset.
  - OR-
  - Press the flashing Line appearance key and lift the handset.

## Redial

*To redial the last number that you manually dialed:*

1. Lift the handset.
2. Press **REDIAL**.

## Speed Call Keys

You may use Speed Call Keys to make a call or to send a string of digits during a call (press a Speed Call Key during a call to send a multi-digit password, for instance).

*To dial a stored Speed Call number:*

1. Lift the handset.
2. Press a Speed Call key.

*To store a Speed Call number:*

1. Press **SUPERKEY**.
2. Press **#** until "Personal Keys?" appears.
3. Press **\*** for Yes.
4. Press a personal key that isn't a line key.
5. Press **\*** to change the key.
6. Do one of the following:
  - To store a new number, enter a trunk access code (usually "9") followed by the telephone number (press **HOLD** between digits to create a one-second pause during dialing - press **HOLD** more than once to lengthen the pause).
  - To enter the last number dialed, press **REDIAL**.
7. Press the personal key again.
8. Do one of the following:
  - To make the number private, press **\***.
  - To keep the number visible, press **#**.
9. Press **SUPERKEY**.

## **Speed Call - Personal**

*To dial a stored personal Speed Call number:*

1. Lift the handset.
2. Dial **52**.
3. Enter an index number between **1** and **5**.

*To store a personal Speed Call number:*

1. Lift the handset.
2. Dial **51**.
3. Enter an index number between **1** and **5**.
4. Enter a trunk access code (usually "9") followed by the telephone number (press **HOLD** between digits to create a one-second pause during dialing - press **HOLD** more than once to lengthen the pause).
5. Hang up.

## Handsfree Operation

*To use Handsfree Operation to make calls:*

1. If you want to use a Non-Prime Line, press a Line Appearance key.
2. Dial the number.
3. Communicate by using the speaker and the microphone.

*To use Handsfree Operation to answer calls:*

1. Press the flashing line key.
2. Communicate by using the speaker and the microphone.

*To hang up while using Handsfree Operation:*

- Press **SPEAKER**.

*To temporarily disable the microphone during a Handsfree conversation:*

- Press **MICROPHONE** (the microphone LED turns off).

*To re-enable the microphone and return to the conversation:*

- Press **MICROPHONE** (the microphone LED turns on).

*To disable Handsfree Operation:*

- Lift the handset.

*To return to Handsfree Operation:*

1. Press **SPEAKER**.
2. Hang up.

## **Auto-Answer**

*To enable or disable Auto-Answer when you are using a headset:*

- Press the **Auto-Answer** feature key.

*To answer a call when you hear ringback:*

- Communicate by using the speaker and the microphone.

*To terminate a call:*

- Press **CANCEL**.  
-OR-  
Wait for the caller to hang up.

## **CALL HANDLING**

### **Hold**

*To place a call on Hold:*

- Press **HOLD**.

*To retrieve a call from Hold:*

1. Lift the handset.
2. Press the flashing line key.

*To retrieve a call from Hold at another station:*

- Press the flashing line key.



## Transfer

*To Transfer an active call:*

1. Press **TRANS/CONF**.
2. Dial the number of the third party.
3. Do one of the following:
  - To complete the Transfer, hang up.
  - To announce the Transfer, wait for an answer, consult, and hang up.
  - To cancel the Transfer, press **CANCEL**.

*To transfer an active call during headset operation:*

1. Press **TRANS/CONF**.
2. Dial the number of the third party.
3. To complete the Transfer, press the **Release** feature key.

## Conference

*To form a Conference when a two-party call is already in place, or to add another party to an existing Conference:*

1. Press **TRANS/CONF**.
2. Dial the number of the next party
3. Wait for an answer.
4. Press **TRANS/CONF**.

*To leave a Conference:*

- Hang up.

## Swap

*To call another party when you are in an established two-party call:*

1. Press **TRANS/CONF**.
2. Dial the number.

*To alternate between the two parties:*

- Press **Swap/Trade**.

## Call Forward

Call Forward lets you redirect incoming calls to an alternate number. "External Calls?" redirects your incoming external calls only; "Internal Calls?" redirects your incoming internal calls only. If you want to redirect both external and internal calls, you must program each separately.

"Always Forward?" redirects all incoming calls regardless of the state of your telephone. "When No Answer?" redirects calls after several rings if you don't answer. "When Set's Busy?" redirects calls when your telephone is busy. "Busy/No Answer?" redirects calls when your telephone is busy or when you don't answer.

**Note:** For information about "I'm Here?", see Call Forward - I'm Here.

### *To program Call Forward:*

1. Press **SUPERKEY**.
2. Press **#** until "Call Forwarding?" appears.
3. Press **\*** for Yes.
4. Do one of the following:
  - To program external forwarding, press **\***.
  - To program internal forwarding, press **#** and press **\***.
5. Press **#** until the desired type of Call Forward appears.
6. Press **\*** to program call forward.
7. Dial the destination number.
8. Press **▼** to save.
9. Press **SUPERKEY** to exit.

### *To turn Call Forward on and off (once it has been programmed):*

1. Press **SUPERKEY**.
2. Press **#** until "Call Forwarding?" appears.
3. Press **\*** for Yes.
4. Do one of the following:
  - To program external forwarding, press **\***.
  - To program internal forwarding, press **#**.
5. To turn call forwarding on or off, press **\***, and then **#**.
6. Continue turning other types of call forwarding on or off or press **SUPERKEY** to exit.

## Call Forward (Enhanced)

Call Forward lets you redirect incoming calls to an alternate number. "External Calls?" redirects your incoming external calls only; "Internal Calls?" redirects your incoming internal calls only. If you want to redirect both external and internal calls, you must program each separately.

"Always Forward?" redirects all incoming calls regardless of the state of your telephone. "When No Answer?" redirects calls after several rings if you don't answer. "When Set's Busy?" redirects calls when your telephone is busy. "Busy/No Answer?" redirects calls when your telephone is busy or when you don't answer.

**Note:** For information about the I\_m Here? softkey, see Call Forward - Remote.

### *To program Call Forward:*

1. Press **SUPERKEY**.
2. Press the **#** until "Call Forwarding?" appears.
3. Press **\*** for Yes.
4. Do one of the following:
  - To program external forwarding, press **\***.
  - To program internal forwarding, press **#**.An asterisk next to External Calls? or Internal Calls? indicates that at least one type of call forwarding is turned on.
5. Press **\*** to program Call Forward Always or **#** to program another type of call forward, and then press **\*** to begin programming.
6. Dial the destination number.
7. Press **▼**.
8. Continue programming other types of Call Forward or press **SUPERKEY** to leave programming mode.

*To turn Call Forward on and off (once it has been programmed):*

1. Press **SUPERKEY**.
2. Press **#** until "Call Forwarding?" appears.
3. Press **\***.
4. Do one of the following:
  - For external forwarding, press the **\*** softkey.
  - For internal forwarding, press the **#**.
5. Do one of the following:
  - To turn Call Forward Always on or off, press **\***, and then **#**.
  - To turn another type of Call Forward on or off, press the **Next** softkey until you reach the desired display, and then press **\*** followed by **#**.
6. Continue turning other types of Call Forward on or off or press **SUPERKEY** to leave programming mode.

## Call Forward (No Internal/External Split)

Call Forward lets you redirect incoming calls to an alternate number. "Always Forward?" redirects all incoming calls regardless of the state of your telephone. "When No Answer?" redirects calls after several rings if you don't answer. "When Set's Busy?" redirects calls when your telephone is busy. "Busy/No Answer?" redirects calls when your telephone is busy or when you don't answer.

**Note:** For information about "I'm Here?", see Call Forward - I'm Here.

*To program Call Forward:*

1. Press **SUPERKEY**.
2. Press **#** until "Call Forwarding?" appears.
3. Press **\*** for Yes.
4. Press **\*** for external call forwarding.
5. Press **#** until the desired type of Call Forward appears.
6. Press **\*** to change call forwarding if it is already programmed, and then press **\*** to program.
7. Dial the destination number.
8. Press **▼** to save.
9. Press **SUPERKEY** to exit.

*To turn Call Forward on and off (once it has been programmed):*

1. Press **SUPERKEY**.
2. Press **#** until "Call Forwarding?" appears.
3. Press **\*** for Yes, and then press **\*** for external call forwarding.
4. To turn call forwarding on or off, press **\***, and then press **#**.
5. Press **SUPERKEY** to exit.

## Call Forward (No Internal/External Split - Enhanced)

Call Forward lets you redirect incoming calls to an alternate number. "Always Forward?" redirects all incoming calls regardless of the state of your telephone. "When No Answer?" redirects calls after several rings if you don't answer. "When Set's Busy?" redirects calls when your telephone is busy. "Busy/No Answer?" redirects calls when your telephone is busy or when you don't answer.

**Note:** For information about "I'm Here?", see Call Forward - I'm Here.

*To program Call Forward:*

1. Press **SUPERKEY**.
2. Press **#** until "Call Forwarding?" appears.
3. Press **\*** for Yes.
4. Press **\*** to program Call Forward Always or **#** to program another type of call forward.  
An asterisk next to the Call Forward destination indicates that call forwarding is turned on.
5. Press **\*** to program call forwarding.
6. Dial the destination number.
7. Press **▼** to save.
8. Continue turning other types of Call Forward on or off, or press **SUPERKEY** to leave programming mode.

*To turn Call Forward on and off (once it has been programmed):*

1. Press **SUPERKEY**.
2. Press **#** until "Call Forwarding?" appears.
3. Press **\*** for Yes, and then **#** for external call forwarding.
4. To turn call forwarding on or off. press **\***, and then press **#**.
5. Continue with other types of Call Forward or press **SUPERKEY** to leave programming mode.

## Call Forward - I'm Here

*To forward calls from a remote station to your current location:*

1. Press **SUPERKEY**.
2. Press **#** until "Call Forwarding?" appears.
3. Press **\*** for Yes, and then choose internal call forwarding or external call forwarding.
4. Press **#** until "I'm Here?" appears.
5. Press **\*** for Yes.
6. Dial the remote extension number.
7. Press **▼** to save.
8. Press **SUPERKEY** to exit.

*To cancel Call Forward - I'm Here from the station that set it:*

1. Lift the handset.
2. Dial **07**.
3. Dial the extension of the remote station.
4. Hang up.

*To cancel Call Forward - I'm Here from the station that was forwarded:*

1. Press **SUPERKEY**.
2. Press **#** until "Call Forwarding?" appears.
3. Press **\*** for Yes.
4. If "External Calls?\* appears, do the following:
  - a. Press **\*** twice.
  - b. Press **#** to cancel Call Forward - I'm Here.
  - c. Press **#** until "Internal Calls?\* appears.
  - d. Press **\*** twice.
  - e. Press **#** to cancel Call Forward - I'm Here.
5. If "External Calls?\* does NOT appear, do the following:
  - a. Press **\*** twice.
  - b. Press **#** to cancel Call Forward - I'm Here.

## Call Forward - Forced

*To force an incoming call to be forwarded:*

- Press the **Forward Call** feature key.

*To immediately transfer to another extension's No Answer forwarding destination when making a call:*

- Press the **Forward Call** feature key when it lights.

## Call Forward - Toggle

This feature is useful if you want call forwarding in effect for Busy and No Answer conditions most of the time, but need to override it with Call Forward Always occasionally--for example, when you're using a second phone such as a SUPERSET 4090 cordless phone. Instead of changing the call forward programming on your main phone to turn Call Forward Always on and off, you can program a key to do it.

You can also program keys to turn Call Forward Busy, No Answer or Busy/No Answer on and off.

*To toggle call forward:*

- Press the programmed feature key: **Forward Always, Forward Busy, Forward No Ans, or Forward Busy/NA.**

For information on programming a feature key, see "Feature Keys" elsewhere in this guide.

**Note:** You may also program a **Forward All** key to enable and disable all call forward types that have a destination programmed.



## **Messaging - Advisory**

*To turn Messaging - Advisory on:*

1. Press **SUPERKEY**.
2. Press \* to select ADVISORY MSGS.
3. Press # until the desired message appears.
4. Press \* to turn on Advisory Messages.
5. Press **SUPERKEY** to exit.

*To turn Messaging - Advisory off:*

1. Press **SUPERKEY**.
2. Press \* to select ADVISORY MSGS.
3. Press \* to turn off Advisory Messages.
4. Press **SUPERKEY** to exit.

## **Messaging - Callback**

*To leave a Callback Message on a telephone when you hear busy or ringback tone:*

- Press **MESSAGE**.

*To respond to a Message Waiting condition on your telephone:*

1. Lift the handset.
2. Press **MESSAGE**.
3. Dial **3**.

A call is placed to the message sender (voice mail system or extension user) that left the oldest message.

*To view information about the messages before responding:*

1. Press **MESSAGE**.
2. Do one of the following.
  - To call the message sender, press #.
  - To erase the message, press \*.
  - To view the next message, press **Message**.

# USING ADVANCED FEATURES

## Account Codes

*To enter an Account Code at the start of a call:*

1. Press the **Account Code** feature key.
2. Enter the account code.
3. Dial the number of the trunk call.

## Callback

*To request a Callback when you reach a busy or unanswered telephone:*

- Press the **Callback** feature key.

*To answer a Callback:*

- Lift the handset.

## Call Park

*To park a call that is on your prime line (Line 1 key):*

- Press the **Call Park** feature key.  
-OR-  
Press **TRANS/CONF** and then dial **33**.

The call is parked and you receive dial tone on your prime line.

*To retrieve a parked call from your phone while your phone is idle, or while you are off-hook and hearing dial tone:*

- Press the **Call Park** feature key.  
-OR-  
Dial **22**.

*To retrieve a parked call while you are on a call on your prime line:*

- Press the **Call Park** feature key.  
-OR-  
Press **TRANS/CONF** and then dial **22**.

You are connected to the parked call and the caller that was on your prime line is parked.

*To retrieve a parked call from another phone:*

1. Lift the handset.
2. Dial **23**.
3. Dial the prime line number (extension number) of the phone that parked the call.

**Note:** If the phone has both a parked call and a call on hold, dialing the Remote Hold Retrieve access code will retrieve the parked call.

## Call Park - System

This feature allows you to park a call from any line on your telephone not just the prime line. The number of calls you can park is limited only by the number available system park "orbits."

*To park a call in system orbit:*

1. Press the lit **System Park** feature key.
2. Do either of the following:
  - Hang up
  - Press a line key to answer a call, retrieve a call or hold, or get dial tone.

*To return to the caller if all the system orbits are busy:*

- Press **CANCEL** to return to the caller.

*To retrieve a call parked on a system orbit from any extension:*

- While listening to dial tone, dial **57** followed by the park orbit number.

## Call Pickup

*To answer a call that is ringing at another station in your Pickup Group:*

1. Lift the handset.
2. Press the **Pickup** feature key.

*To answer a call that is ringing at a station not in your Pickup Group:*

1. Lift the handset.
2. Dial **09**.
3. Dial the number of the ringing station.

## Campon

*To campon to a busy station:*

- Press the **Campon** feature key.

*To retrieve a call when you hear Campon tone:*

- Press the **Swap/Trade** feature key.

## **Do Not Disturb**

*To activate and deactivate Do Not Disturb:*

- Press the **Do Not Disturb** feature key.

## **Override (Intrude)**

*To use Override when you encounter busy or DND tone:*

- Press the **Intrude** feature key.

## **Paging - PA**

*To use Paging:*

1. Lift the handset.
2. Do one of the following:
  - To page the default zone, press the **PA Page** feature key.
  - To page a specific zone, dial **09** followed by the zone number (0-9).
3. Make the announcement.

## **Paging - Direct**

*To page an extension that has Whisper Announce or Off-Hook Voice Announce enabled:*

1. Lift the handset.
2. Press the **Direct Page** feature key.
3. Dial the extension number.
4. Page the called party.

*To answer a Direct Page:*

- Lift the handset.

## **Paging - All Set**

*To page all telephones simultaneously through their speakers:*

1. Lift the handset.
2. Press the **Direct Page** feature key.
3. Press **\***.
4. Page the called party.

*To answer an All Set Page:*

1. Lift the handset.
2. Dial **49**.

## **Paging - Group**

*To page all telephones in a paging group simultaneously through their speakers:*

1. Lift the handset.
2. Press the **Direct Page** feature key.
3. Press **#**.
4. Page the called parties.

*To respond to a Group Page:*

1. Lift the handset.
2. Dial **49**.

## **Handset Mute**

*To mute your handset's microphone during a call:*

- Press the **Handset Mute** feature key.

*To restore handset microphone operation:*

- Press the **Handset Mute** feature key again.

## **Direct Station Select/Busy Lamp Field (DSS/BLF)**

Your phone may have keys programmed to place calls to other extensions and to show the status (idle, busy or DND) of those extensions.

*To call the DSS/BLF extension:*

- Press the **DSS/BLF** key.

*To transfer a call to DSS/BLF extension (without Secretarial option):*

1. Press the **TRANS/CONF** key.
2. Press the **DSS/BLF** key.

*To transfer a call to a station (with Secretarial option):*

- Press the **DSS/BLF** key.

## **DSS/BLF/Call Pickup**

Your phone may have keys programmed to show the status (idle, busy, ringing, call on hold) of another destination and to retrieve calls ringing or on hold at the destination.

*To retrieve a call ringing at the DSS/BLF destination:*

- Press the slowly flashing **DSS/BLF** key.

*To retrieve a call on hold at the DSS/BLF destination:*

- Press the rapidly flashing **DSS/BLF** key.

## **Direct Page/BLF**

Your phone may have keys programmed to show the busy/idle status of another extension and to page the extension.

*To page a DP/BLF extension:*

- Press the **DP/BLF** key.

You can page when the DP/BLF extension is idle (key dark) or busy (key steadily lit).

## **DSS/BLF/Direct Page/Call Pickup**

Your phone may have keys that show the status (idle, busy, ringing, or call on hold) of another extension. Depending on the programming of the key, pressing it will either call the extension if it is idle, or retrieve a call ringing or on hold at the extension, or page the extension.

*To pick up a call ringing at the DSS/BLF extension:*

- Press the slowly flashing **DSS/BLF** key.

*To retrieve a call on hold at the DSS/BLF extension:*

- Press the rapidly flashing **DSS/BLF** key.

*To page a DSS/BLF extension:*

- Press the dark or steadily lit **DSS/BLF** key.

## **Headset Operation**

*To enable Headset Operation on telephones that are not programmed for full-time headset mode:*

- Press the **Headset** feature key.

*To answer a call (when Auto Answer is disabled):*

- Press the flashing line key.

*To hang up:*

- Press **CANCEL**.



## Headset Operation (Headset with Feature Control Switch)

**IMPORTANT NOTE:** Mitel Networks Headsets with Feature Control Switch must be installed in the dedicated headset jack (the jack nearest the front of the phone). Installation will disable your handset microphone. Disconnecting the headset at the jack or at the quick-disconnect plug restores handset operation. If handset operation is required for an extended period of time, you should press the Headset feature key to return the telephone to handset mode.

*To answer a call:*

- Press the flashing Line Appearance key  
-OR-  
Quickly press and release the headset's feature control switch.

*To mute the headset microphone:*

- Press and hold the headset's feature control switch.

*To hang up:*

- Press **CANCEL**.  
-OR-  
Quickly press and release the headset's feature control switch.

## Music

*To turn Music on and off when the phone is idle:*

- Press the **Music** feature key.

## Record a Call

This feature uses your voice mail system to record your telephone conversations.

**Note:** You may be required by law to inform the other party that you are recording the conversation. For specific instructions, consult your system administrator.

*To start recording while on a 2-party call:*

- Press the **Record Call** key. (See *Feature Keys* for instructions on programming a **Record Call** key to your phone.)

**Note:** Your system may be programmed to automatically begin recording external calls when you or the other answers.

*To stop and save a recording:*

- Press the **Record Call** key.

Putting the call on hold saves the recording; taking the call off hold starts a new recording. Depending on system programming, hanging up, or pressing **TRANS/CONF** or a **DSS** key, may also save the recording.

*To stop and erase a recording:*

- Press the **Cancel** softkey.

*To listen to a recording:*

1. Lift the handset.
2. Access your voice mailbox.
3. Follow the prompts to retrieve the recording.

## Reminder

*To set or modify a timed reminder:*

1. Lift the handset.
2. Dial **32**.
3. Set a time by entering the hour and minutes in 24-hour format. For example, entering 1415 sets a reminder for 2:15 PM.  
You hear dial tone if the time is valid; reorder tone if it is invalid.

*To cancel a timed reminder:*

1. Lift the handset.
2. Dial **32** followed by 9999.
3. Hang up.  
The reminder is cancelled.

*To acknowledge the reminder (indicated by five rings).*

- Lift the handset.

## Reminder - Multiple

*To set multiple reminders (up to three):*

1. Lift the handset.
2. Dial **32**.
3. Dial # followed by the number of the timer (#1, #2, or #3). To repeat the timer daily, dial \*.
4. Set a time by entering the hour and minutes in 24-hour format. For example, entering 1415 sets a reminder for 2:15 PM.  
You hear dial tone if the time is valid; reorder tone if it is invalid.
5. Repeat for each additional timer.

*To cancel the Timer 1 reminder:*

1. Lift the handset.
2. Dial **32** followed by 9999.
3. Replace the handset.

The reminder is cancelled.

*To cancel multiple reminders:*

1. Lift the handset.
2. Dial **32**.
3. Dial # followed by the timer number (#1, #2, or #3).
4. Dial 9999.
5. Replace the handset.

*To acknowledge the reminder (indicated by five rings).*

- Lift the handset.

## FEATURE ACCESS CODES

Program Feature Key	47
Retrieve Personal Speed Call	52
Store Personal Speed Call	51
Call Forwarding - Cancel I'm Here	07
Call Park	33
Call Hold Retrieve (Local)	22
Call Hold Retrieve (Remote)	23
Call Park Orbit Retrieve	57
Directed Call Pickup	09
Group Page Meet-Me-Answer	49
Automatic Wakeup/Reminder	32



™, © Trademark of Mitel Networks Corporation.  
© Copyright 2003, Mitel Networks Corporation.  
All rights reserved.